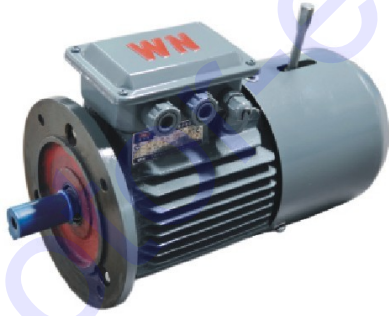


YE3EJ Series Super-high Efficiency AC Squirrel-cage Brake Motors



- Frame sizes: 80 to 315 Rated output: 0.18 to 200kW
- Voltage: 380V Frequency: 50Hz
- Efficiency levels: IE3 Enclosure: IC411 – TEFC
- Degree of protection: IP55 (motor) & IP23 (brake)
- Braking mode: Power failure brake
- Rectification code: Half wave rectification

Applications: Widely used for driving machine tools, printing machinery, forging press, transport machinery, packing machinery, food machinery, construction machinery, and woodworking machinery where quick stop, accurate braking, reciprocated operation are demanded.

Features: Electromagnetic brake, fast braking, energy saving, simple structure, exact orientation.

Performance Data

380V 50Hz

Model	Output kW	FLA	RPM	Eff.%	Power Factor	FLT N.m	$\frac{LRT}{FLT} \frac{T_{st}}{T_N}$	$\frac{LRA}{FLA} \frac{I_{st}}{I_N}$	$\frac{BDT}{FLT} \frac{T_{max}}{T_N}$	dB(A)
Synchronous speed 3000 r/min										
YE3EJ80M1-2	0.75	1.7	2870	80.7	0.83	2.50	2.2	7.0	2.3	67
YE3EJ80M2-2	1.1	2.4	2875	82.7	0.83	3.65	2.2	7.3	2.3	71
YE3EJ90S-2	1.5	3.2	2880	84.2	0.84	4.97	2.2	7.6	2.3	75
YE3EJ90L-2	2.2	4.6	2880	85.9	0.85	7.29	2.2	7.6	2.3	75
YE3EJ100L-2	3	6.0	2880	87.1	0.87	9.95	2.2	7.8	2.3	79
YE3EJ112M-2	4	7.8	2915	88.1	0.88	13.1	2.2	8.3	2.3	79
YE3EJ132S1-2	5.5	10.6	2935	89.2	0.88	17.9	2.0	8.3	2.3	83
YE3EJ132S2-2	7.5	14.4	2930	90.1	0.88	24.4	2.0	7.9	2.3	83
YE3EJ160M1-2	11	20.6	2950	91.2	0.89	35.6	2.0	8.1	2.3	87
YE3EJ160M2-2	15	27.9	2945	91.9	0.89	48.6	2.0	8.1	2.3	87
YE3EJ160L-2	18.5	34.2	2945	92.4	0.89	60.0	2.0	8.2	2.3	87
YE3EJ180M-2	22	41.8	2950	92.7	0.89	71.2	2.0	8.2	2.3	92
YE3EJ200L1-2	30	54.7	2965	93.3	0.89	96.6	2.0	7.6	2.3	92
YE3EJ200L2-2	37	67.4	2965	93.7	0.89	119	2.0	7.6	2.3	95
YE3EJ225M-2	45	84.4	2965	94.0	0.90	145	2.0	7.7	2.3	97
YE3EJ250M-2	55	98.5	2975	94.3	0.90	177	2.0	7.7	2.3	98
YE3EJ280S-2	75	134	2975	94.7	0.90	241	1.8	7.1	2.3	99
YE3EJ280M-2	90	160	2975	95.0	0.90	289	1.8	7.1	2.3	99
YE3EJ315S-2	110	197	2975	95.2	0.90	353	1.8	7.1	2.3	101
YE3EJ315M-2	132	236	2975	95.4	0.90	424	1.8	7.1	2.3	101
YE3EJ315L1-2	160	282	2975	95.6	0.91	514	1.8	7.2	2.3	103
YE3EJ315L2-2	200	352	2975	95.8	0.91	642	1.8	7.2	2.2	103

Performance Data

380V 50Hz

Model	Output kW	FLA	RPM	Eff.%	Power Factor	FLT N.m	$\frac{LRT}{FLT} \frac{Tst}{T_N}$	$\frac{LRA}{FLA} \frac{Ist}{I_N}$	$\frac{BDT}{FLT} \frac{Tmax}{T_N}$	dB(A)
Synchronous speed 1500 r/min										
YE3EJ80M1-4	0.55	1.4	1430	80.6	0.75	3.67	2.3	6.0	2.3	61
YE3EJ80M2-4	0.75	1.8	1430	82.5	0.75	5.01	2.3	6.6	2.3	61
YE3EJ90S-4	1.1	2.6	1430	84.1	0.76	7.35	2.3	6.8	2.3	67
YE3EJ90L-4	1.5	3.5	1440	85.3	0.77	9.95	2.3	7.0	2.3	67
YE3EJ100L1-4	2.2	4.8	1440	86.7	0.81	14.6	2.3	7.6	2.3	70
YE3EJ100L2-4	3	6.3	1440	87.7	0.82	19.9	2.3	7.6	2.3	70
YE3EJ112M-4	4	8.4	1455	88.6	0.82	26.3	2.2	7.8	2.3	74
YE3EJ132S-4	5.5	11.2	1465	89.6	0.83	35.9	2.0	7.9	2.3	78
YE3EJ132M-4	7.5	15.0	1465	90.4	0.84	48.9	2.0	7.5	2.3	78
YE3EJ160M-4	11	21.5	1470	91.4	0.85	71.5	2.0	7.7	2.3	82
YE3EJ160L-4	15	28.8	1470	92.1	0.86	97.4	2.0	7.8	2.3	82
YE3EJ180M-4	18.5	35.3	1470	92.6	0.86	120	2.0	7.8	2.3	82
YE3EJ180L-4	22	41.8	1470	93.0	0.86	143	2.0	7.8	2.3	82
YE3EJ200L-4	30	56.6	1475	93.6	0.86	194	2.0	7.3	2.3	84
YE3EJ225S-4	37	69.6	1480	93.9	0.86	239	2.0	7.4	2.3	84
YE3EJ225M-4	45	84.4	1480	94.2	0.86	290	2.0	7.4	2.3	84
YE3EJ250M-4	55	103	1485	94.6	0.84	354	2.0	7.4	2.3	86
YE3EJ280S-4	75	136	1490	95.0	0.88	481	2.0	6.9	2.3	89
YE3EJ280M-4	90	163	1490	95.2	0.88	577	2.0	6.9	2.3	89
YE3EJ315S-4	110	199	1485	95.4	0.89	707	2.0	7.0	2.2	96
YE3EJ315M-4	132	241	1485	95.6	0.88	849	2.0	7.0	2.2	96
YE3EJ315L1-4	160	288	1485	95.8	0.89	1029	2.0	7.1	2.2	97
YE3EJ315L2-4	200	359	1485	96.0	0.90	1286	2.0	7.1	2.2	97
Synchronous speed 1000 r/min										
YE3EJ80M1-6	0.37	1.2	910	68.0	0.70	3.88	1.9	5.5	2.1	58
YE3EJ80M2-6	0.55	1.6	925	72.0	0.71	5.68	1.9	5.5	2.1	58
YE3EJ90S-6	0.75	2.0	945	78.9	0.71	7.59	2.0	6.0	2.1	61
YE3EJ90L-6	1.1	2.8	950	81.0	0.73	11.1	2.0	6.0	2.1	65
YE3EJ100L-6	1.5	3.8	950	82.5	0.73	15.1	2.0	6.5	2.1	67
YE3EJ112M-6	2.2	5.4	965	84.3	0.74	21.8	2.0	6.6	2.1	74
YE3EJ132S-6	3	7.2	975	85.6	0.74	29.4	1.9	6.8	2.1	71
YE3EJ132M1-6	4	9.5	975	86.8	0.74	39.2	1.9	6.8	2.1	71
YE3EJ132M2-6	5.5	12.7	975	88.0	0.75	53.9	1.9	7.0	2.1	71
YE3EJ160M-6	7.5	16.2	980	89.1	0.79	73.1	2.0	7.0	2.1	75
YE3EJ160L-6	11	23.1	980	90.3	0.80	107	2.0	7.2	2.1	75
YE3EJ180L-6	15	30.9	980	91.2	0.81	146	1.9	7.3	2.1	78
YE3EJ200L1-6	18.5	37.8	985	91.7	0.81	179	1.9	7.3	2.1	78
YE3EJ200L2-6	22	44.8	985	92.2	0.81	213	1.9	7.4	2.1	78

Performance Data

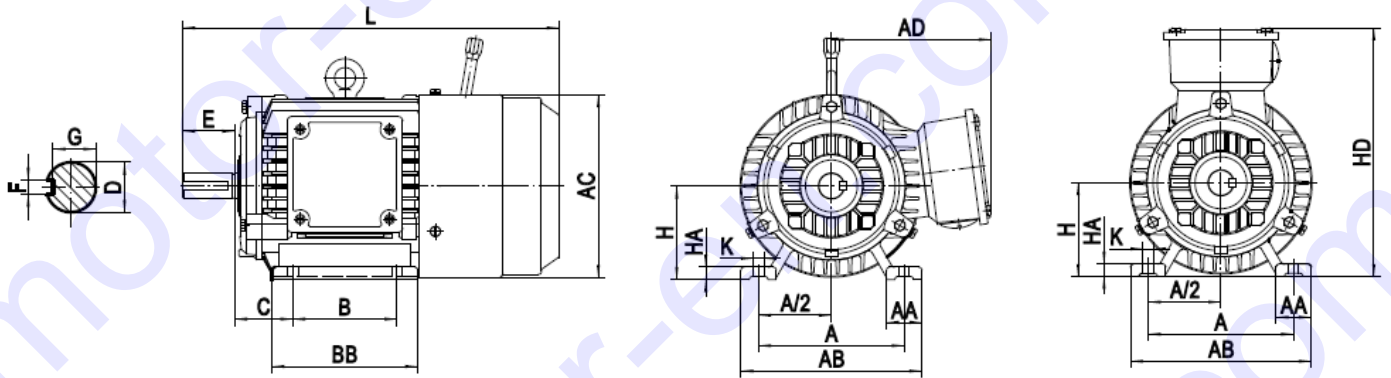
380V 50Hz

Model	Output kW	FLA	RPM	Eff.%	Power Factor	FLT N.m	$\frac{LRT}{FLT} \frac{Tst}{T_N}$	$\frac{LRA}{FLA} \frac{Ist}{I_N}$	$\frac{BDT}{FLT} \frac{Tmax}{T_N}$	dB(A)
Synchronous speed 1000 r/min										
YE3EJ225M-6	30	59.1	985	92.9	0.83	291	1.9	6.9	2.1	81
YE3EJ250M-6	37	71.7	985	93.3	0.84	359	1.9	7.1	2.1	83
YE3EJ280S-6	45	85.8	990	93.7	0.85	434	1.9	7.3	2.0	85
YE3EJ280M-6	55	103	990	94.1	0.86	531	1.9	7.3	2.0	85
YE3EJ315S-6	75	145	990	94.6	0.84	723	1.9	6.6	2.0	90
YE3EJ315M-6	90	171	990	94.9	0.85	868	1.9	6.7	2.0	90
YE3EJ315L1-6	110	209	990	95.1	0.85	1061	1.9	6.7	2.0	90
YE3EJ315L2-6	132	247	990	95.4	0.86	1273	1.9	6.8	2.0	90
Synchronous speed 750 r/min										
YE3EJ80M1-8	0.18	0.80	700	56.0	0.61	2.46	1.8	3.3	1.9	54
YE3EJ80M2-8	0.25	1.1	700	59.0	0.61	3.41	1.8	3.3	1.9	54
YE3EJ90S-8	0.37	1.4	695	66.0	0.61	5.08	1.8	4.0	2.0	58
YE3EJ90L-8	0.55	2.0	695	70.0	0.61	7.56	1.8	4.0	2.0	58
YE3EJ100L1-8	0.75	2.3	705	73.5	0.67	10.2	1.8	4.0	2.0	61
YE3EJ100L2-8	1.1	3.2	705	76.5	0.69	14.9	1.8	4.0	2.0	61
YE3EJ112M-8	1.5	4.2	715	77.5	0.70	20.0	1.8	4.0	2.0	63
YE3EJ132S-8	2.2	5.9	730	80.0	0.71	28.8	1.8	5.5	2.2	66
YE3EJ132M-8	3	7.6	730	82.5	0.73	39.2	1.8	5.5	2.2	66
YE3EJ160M1-8	4	9.8	725	85.0	0.73	52.7	1.9	6.0	2.2	69
YE3EJ160M2-8	5.5	13.1	725	86.0	0.74	72.4	1.9	6.0	2.2	69
YE3EJ160L-8	7.5	17.4	730	87.5	0.75	98.1	1.9	6.0	2.2	72
YE3EJ180L-8	11	25.0	725	89.0	0.75	145	1.9	6.0	2.2	72
YE3EJ200L-8	15	33.2	730	90.4	0.76	196	2.0	6.5	2.2	75
YE3EJ225S-8	18.5	40.6	735	91.2	0.76	240	2.0	6.5	2.2	75
YE3EJ225M-8	22	46.8	735	91.5	0.78	286	2.0	6.5	2.2	75
YE3EJ250M-8	30	62.6	735	92.2	0.79	390	1.9	6.5	2.0	77
YE3EJ280S-8	37	76.5	740	93.0	0.79	478	1.8	6.0	2.0	78
YE3EJ280M-8	45	92.6	740	93.5	0.79	581	1.8	6.0	2.0	78
YE3EJ315S-8	55	111	740	93.8	0.81	710	1.8	6.5	2.0	84
YE3EJ315M-8	75	151	740	94.0	0.81	968	1.8	6.5	2.0	85
YE3EJ315L1-8	90	181	740	94.5	0.81	1161	1.8	6.5	2.0	85
YE3EJ315L2-8	110	218	740	94.8	0.82	1420	1.8	6.5	2.0	85
Synchronous speed 600 r/min										
YE3EJ315S-10	45	99.6	590	92.0	0.75	728	1.5	6.0	2.0	85
YE3EJ315M-10	55	121	590	92.5	0.75	890	1.5	6.0	2.0	85
YE3EJ315L1-10	75	162	590	93.0	0.76	1214	1.5	6.0	2.0	85
YE3EJ315L2-10	90	191	590	93.4	0.77	1457	1.5	6.0	2.0	85

Dimensions & Mounting

mm

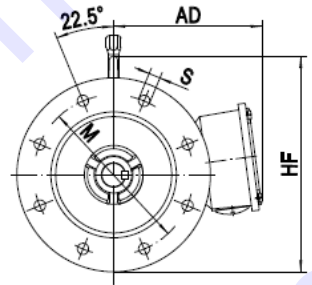
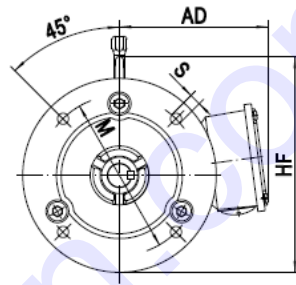
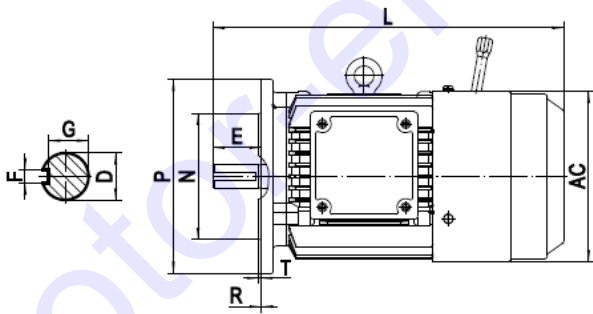
B3 (Horizontal Foot Mounted Only)



Handle brake motor (hand release)

Frame	Poles	Mounting Dimension									Overall Dimension								
		A	B	C	D	E	F	G	H	K	AA	BB	HA	AB	AC	AD	HD	L	
80M	2,4,6,8	125	100	50	19	40	6	155	80	10	32	135	10	160	165	145	225	355	
90S	2,4,6,8	140	100	56	24	50	8	20	90	10	34	145	12	180	180	165	255	420	
90L			125									170						460	
100L	2,4,6,8	160	140	63	28	60	8	24	100	12	39	186	14	200	205	175	275	465	
112M	2,6,8	190	140	70	28	60	8	24	112	12	45	200	14	230	225	190	300	515	
	4											230						545	
132S	2,4,6,8	216	140	89	38	80	10	33	132	12	55	190	18	265	270	220	350	570	
132M			178									230						605	
160M	2,4,6,8	254	210	108	42	110	12	37	160	15	65	260	20	315	320	260	420	705	
160L			254									304						750	
180M	2,4,6,8	279	241	121	48	110	14	425	180	15	70	311	22	355	360	265	445	785	
180L			279									349						820	
200L	2,4,6,8	318	305	133	55	110	16	49	200	19	74	379	26	395	400	305	505	910	
225S	4,8	356	286	149	60	140	18	53	225	19	78	375	28	435	450	325	550	940	
225M	2		311		55	110	16	49				400						935	
	4,6,8		60		140	18	53	965											
250M	2	406	349	168	60	140	18	53	250	24	80	445	30	490	510	380	630	1050	
	4,6,8				65			58											
280S	2	457	368	190	65	140	18	58	280	24	90	485	35	545	550	395	675	1100	
	280M				4,6,8			75											20
2					65			18											58
315S	2	508	406	216	65	140	18	58	315	28	120	570	45	635	630	540	855	1345	
	315M				4,6,8,10	80	170	22										71	1375
2					65	140	18	58										1370	
315L	4,6,8,10				80	170	22	71										1400	
	2				508	65	140	18										58	680
	4,6,8,10	80	170	22	71	1485													

B5 (Footless and B5 Flange Mounted)



H80-200mm

H225mm

Handle brake motor (hand release)

Frame	Poles	Mounting Dimension										Overall Dimension			
		D	E	F	G	M	N	P	R	S	T	AC	AD	HF	L
80M	2,4,6,8	19	40	6	15.5	165	130	200	0	4-Φ12	3.5	165	145	245	355
90S	2,4,6,8	24	50	8	20	165	130	200	0	4-Φ12	3.5	180	165	265	420
90L															460
100L	2,4,6,8	28	60	8	24	215	180	250	0	4-Φ15	4	205	175	300	465
112M	2,6,8	28	60	8	24	215	180	250	0	4-Φ15	4	225	190	315	515
	4														545
132S	2,4,6,8	38	80	10	33	265	230	300	0	4-Φ15	4	275	220	370	570
132M															605
160M	2,4,6,8	42	110	12	37	300	250	350	0	4-Φ19	5	320	260	435	705
160L															750
180M	2,4,6,8	48	110	14	42.5	300	250	350	0	4-Φ19	5	360	265	440	785
180L															820
200L	2,4,6,8	55	110	16	49	350	300	400	0	4-Φ19	5	400	305	505	910
225S	4,8	60	140	18	53	400	350	450	0	8-Φ19	5	450	325	550	940
225M	2	55	110	16	49										935
	4,6,8	60	140	18	53										965
250M	2	60	140	18	53	500	450	550	0	8-Φ19	5	510	380	655	1050
	4,6,8	65		58											
280S	2	65	140	18	58	500	450	550	0	8-Φ19	5	550	395	670	1095
	4,6,8	75		20	67.5										
280M	2	65		18	58										1145
	4,6,8	75		20	67.5										

Technical Data of The Brake

Frame	Stroke of the Armature mm	No-load braking time ms	Braking torque N·m	Excitation Voltage V	Brake Excitation Power W
YE3EJ80	1.0	72	7.5	99	50
YE3EJ90	1.0	95	15	99	60
YE3EJ100	1.0	120	30	99	80
YE3EJ112	1.0	130	40	170	110
YE3EJ132	1.2	140	80	170	130
YE3EJ160	1.2	180	150	170	150
YE3EJ180	1.2	210	200	170	150
YE3EJ200	1.5	250	300	170	200
YE3EJ225	1.5	270	450	170	200
YE3EJ250	1.6	285	600	170	210
YE3EJ280	1.8	320	850	170	340
YE3EJ315	1.8	375	2000	170	400

Conventional mounting type and suitable frame size are given in following table (with “√”)

Frame	basic type			derived type											
	B3	B5	B35	V1	V3	V5	V6	B6	B7	B8	V15	V36	B14	B34	V18
80~112	√	√	√	√	√	√	√	√	√	√	√	√	√	√	√
132~160	√	√	√	√	√	√	√	√	√	√	√	√	-	-	-
180~280	√	√	√	√	-	-	-	-	-	-	-	-	-	-	-
315	√	-	√	√	-	-	-	-	-	-	-	-	-	-	-

If there is no other request in the order or agreement, terminal box position on the right side of the frame is regarded as standard; data above may be changed without prior notice.