

YBS Series Explosion-proof Motors Special for Drag Conveyor



- Rated output: 7.5 to 200Kw
- Efficiency levels: IE1
- Voltage: 380V,660V,380V/660V, 1140V,660V/1140V

Applications: The motor can be applied in the coal mine equipments like the drag conveyor, rubber belt conveyor, scraper conveyor for driving.

Features: Frequent starting, overload capacity and protective performance.

Voltage: 380V/660V 660V/1140V

Performance Data

50Hz

Model	Output kW	FLA	RPM	Eff. $\eta\%$	Power Factor $\cos\Phi$	FLT N.m	$\frac{LRT}{FLT} \frac{Tst}{TN}$	$\frac{LRA}{FLA} \frac{Ist}{IN}$	$\frac{BDT}{FLT} \frac{Tmax}{TN}$
380V/660V									
YBS 7.5-4	7.5	16/9.2	1455	86	0.83	49.2	2.5	6.5	2.3
YBS 11-4	11	23.2/13.3	1455	87	0.83	72.2	2.5	6.5	2.3
YBS 15-4	15	30.8/17.8	1470	88	0.84	97.4	2.5	6.5	2.3
YBS 18.5-4	18.5	37.6/21.6	1470	89	0.84	120.2	2.5	6.5	2.3
YBS 22-4	22	44/25.3	1470	89.5	0.85	142.9	2.5	6.5	2.3
YBS 30-4	30	59/34	1470	90.5	0.85	194.9	2.5	6.5	2.3
YBS 40-4	40	77.7/44.7	1475	91	0.86	259.0	2.5	6.5	2.3
YBS 55-4	55	105.6/60.8	1475	92	0.86	356.1	2.5	6.5	2.3
YBS 75-4	75	141.6/81.5	1480	92.5	0.87	484.0	2.3	6.0	2.2
YBS 90-4	90	170/98	1480	92.5	0.87	580.7	2.3	6.0	2.2
YBS 110-4	110	206.5/119	1480	93	0.87	709.8	2.3	6.0	2.2
YBS 132-4	132	247.9/142.7	1485	93	0.87	848.9	2.3	6.0	2.2
YBS 160-4	160	300.5/173	1490	93	0.87	1025.5	2.3	6.0	2.2
YBS 200-4	200	369/212.6	1490	93.5	0.88	1281.9	2.3	6.0	2.2
660V/1140 V									
YBS 7.5-4	7.5	9.2/5.3	1455	86	0.83	49.2	2.5	6.5	2.3
YBS 11-4	11	13.3/7.7	1455	87	0.83	72.2	2.5	6.5	2.3
YBS 15-4	15	17.8/10.3	1470	88	0.84	97.4	2.5	6.5	2.3
YBS 18.5-4	18.5	21.6/12.5	1470	89	0.84	120.2	2.5	6.5	2.3
YBS 22-4	22	25.3/14.6	1470	89.5	0.85	142.9	2.5	6.5	2.3
YBS 30-4	30	34/19.6	1470	90.5	0.85	194.9	2.5	6.5	2.3
YBS 40-4	40	44.7/25.8	1475	91	0.86	259.0	2.5	6.5	2.3

Performance Data

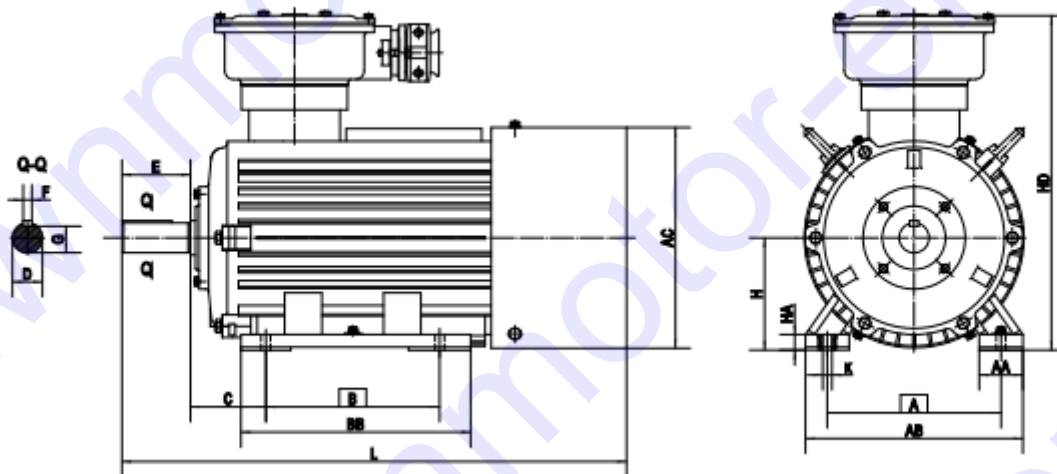
50Hz

Model	Output kW	FLA	RPM	Eff. $\eta\%$	Power Factor $\cos\Phi$	FLT N.m	$\frac{LRT}{FLT}$ $\frac{T_{st}}{T_N}$	$\frac{LRA}{FLA}$ $\frac{I_{st}}{I_N}$	$\frac{BDT}{FLT}$ $\frac{T_{max}}{T_N}$
660V/1140 V									
YBS 55-4	55	60.8/35.1	1475	92	0.86	356.1	2.5	6.5	2.3
YBS 75-4	75	81.5/47	1480	92.5	0.87	484.0	2.3	6.0	2.2
YBS 90-4	90	98/56.6	1480	92.5	0.87	580.7	2.3	6.0	2.2
YBS 110-4	110	119/68.7	1480	93	0.87	709.8	2.3	6.0	2.2
YBS 132-4	132	142.7/82.4	1485	93	0.87	848.9	2.3	6.0	2.2
YBS 160-4	160	173/100	1490	93	0.87	1025.5	2.3	6.0	2.2
YBS 200-4	200	212.6/122.7	1490	93.5	0.88	1281.9	2.3	6.0	2.2

Dimensions & Mounting

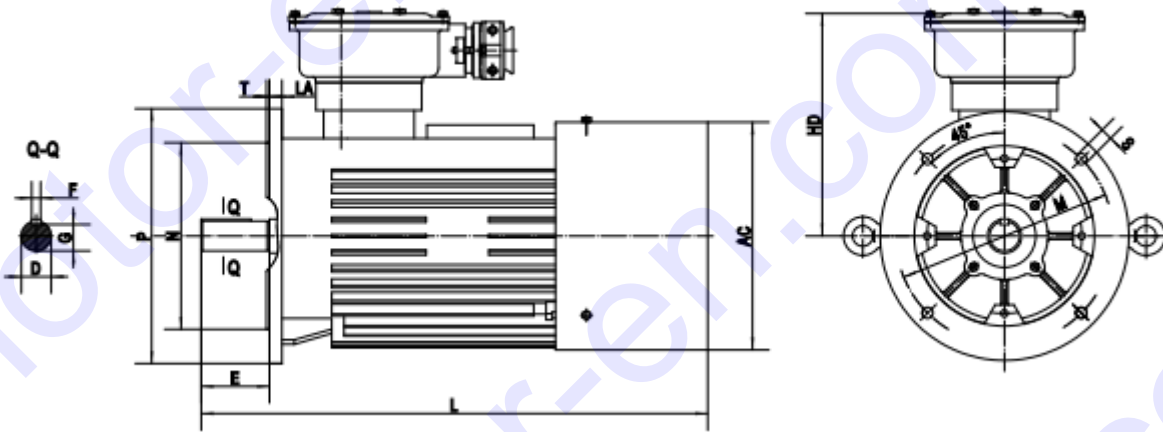
mm

B3 (Horizontal Foot Mounted Only)



Output KW	Mounting Dimension									Overall Dimension						
	A	B	C	D	E	F	G	H	K	AA	BB	HA	AB	AC	HD	L
7.5	254	210	108	38	80	10	33	160	15	70	260	25	324	330	505	635
11	254	254	108	38	80	10	33	160	15	70	305	25	324	330	505	695
15	279	241	121	48	110	14	42.5	180	15	70	330	25	349	356	545	770
18.5	279	279	121	48	110	14	42.5	180	15	70	370	25	349	356	545	810
22	318	267	133	55	110	16	49	200	19	70	340	25	388	450	625	825
30	318	305	133	55	110	16	49	200	19	70	375	25	388	450	625	890
40	406	311	168	60	140	18	53	250	24	80	390	30	490	500	690	935
55	406	349	168	60	140	18	53	250	24	80	430	30	490	500	690	960
75	457	368	190	75	140	20	67.5	280	24	85	480	35	545	550	800	1060
90	457	419	190	75	140	20	67.5	280	24	85	540	35	545	550	800	1120
110	508	406	216	80	170	22	71	315	28	120	536	45	628	630	920	1255
132	508	457	216	80	170	22	71	315	28	120	587	45	628	630	920	1350
160	610	560	254	90	170	25	81	355	28	120	720	50	726	720	1040	1455
200	686	630	280	100	210	28	90	400	28	120	800	50	810	720	1040	1595

B10 (Footless and Special Flange Mounted)



(n=flange holes quantity)

Output KW	Mounting Dimension										Overall Dimension				
	D	E	F	G	M	N	P	R	S	T	n	LA	HD	AC	L
7.5	38	80	10	33	300	250	350	0	19	5	4	18	375	330	635
11	38	80	10	33	300	250	350	0	19	5	4	18	375	330	695
15	48	110	14	42.5	350	300	400	0	19	5	4	20	380	366	775
18.5	48	110	14	42.5	350	300	400	0	19	5	4	20	380	366	815
22	55	110	16	49	400	350	450	0	19	5	8	22	445	450	830
30	55	110	16	49	400	350	450	0	19	5	8	22	445	450	895
40	60	140	18	53	500	450	550	0	19	5	8	22	500	500	910
55	60	140	18	53	500	450	550	0	19	5	8	22	515	500	945
75	75	140	20	67.5	500	450	550	0	19	5	8	24	625	625	1060
90	75	140	20	67.5	500	450	550	0	19	5	8	24	625	625	1120
110	80	170	22	71	600	550	660	0	24	6	8	30	655	630	1255
132	80	170	22	71	600	550	660	0	24	6	8	30	655	630	1350
160	90	170	25	81	740	680	800	0	24	6	8	35	695	720	1455
200	100	210	28	90	740	680	800	0	24	6	8	35	695	720	1595

Data above may be changed without prior notice.