

## YYB Series Induction Motor Special for Oil pump



- Frame sizes: 90 to 280    Rated output: 0.37 to 90kW
- Voltage: 380V    Frequency: 50Hz or 60 Hz
- Duty Cycle: S1    Insulation class: F

**Applications:** Widely used for driving machine tools, forging press, hoisting machinery, ship, injection machinery, metallurgy, engineering machinery, mining machinery, etc; it also matches up with CY-Y oil pump set, gear wheel pump blade and other pump set with columned stopple.

**Features:** With inner shaft type, the motor can be installed in a narrow installation space; its advantage lies in compact construction, small size, lightweight, little vibration, low noise high efficiency and durability.

### Performance Data

**380V 50Hz**

Model	Output kW	FLA	RPM	Eff.%	Power Factor	FLT N.m	$\frac{LRT}{FLT} \frac{Tst}{T_N}$	$\frac{LRA}{FLA} \frac{Ist}{I_N}$	$\frac{BDT}{FLT} \frac{Tmax}{T_N}$	dB(A)
Synchronous speed 3000 r/min										
YYB90S-2	1.5	3.3	2865	81.3	0.84	5.00	2.2	7.6	2.3	67
YYB90L-2	2.2	4.7	2870	83.2	0.85	7.32	2.2	7.6	2.3	67
YYB100L-2	3	6.2	2875	84.6	0.87	9.97	2.2	7.8	2.3	74
YYB112M-2	4	8.0	2910	85.8	0.88	13.1	2.2	8.3	2.3	77
YYB132S1-2	5.5	10.9	2935	87.0	0.88	17.9	2.0	8.3	2.3	79
YYB132S2-2	7.5	14.5	2930	88.1	0.89	24.4	2.0	7.9	2.3	79
YYB160M1-2	11	21.0	2950	89.4	0.89	35.6	2.0	8.1	2.3	81
YYB160M2-2	15	28.4	2945	90.3	0.89	48.6	2.0	8.1	2.3	81
YYB160L-2	18.5	34.7	2945	90.9	0.89	60.0	2.0	8.2	2.3	81
YYB180M-2	22	41.1	2950	91.3	0.89	71.2	2.0	8.2	2.3	83
YYB200L1-2	30	55.7	2960	92.0	0.89	96.8	2.0	7.6	2.3	84
YYB200L2-2	37	68.3	2960	92.5	0.89	119	2.0	7.6	2.3	84
YYB225M-2	45	82.7	2965	92.9	0.89	145	2.0	7.7	2.3	86
YYB250M-2	55	101	2970	93.2	0.89	177	2.0	7.7	2.3	89
YYB280S-2	75	137	2975	93.8	0.89	241	1.8	7.1	2.3	91
YYB280M-2	90	163	2970	94.1	0.89	289	1.8	7.1	2.3	91
Synchronous speed 1500 r/min										
YYB90S-4	1.1	2.7	1420	81.4	0.77	7.40	2.3	6.8	2.3	59
YYB90L-4	1.5	3.5	1420	82.8	0.78	10.1	2.3	7.0	2.3	59
YYB100L1-4	2.2	5.0	1430	84.3	0.80	14.7	2.3	7.6	2.3	64

### Performance Data

**380V 50Hz**

Model	Output kW	FLA	RPM	Eff.%	Power Factor	FLT N.m	$\frac{LRT}{FLT} \frac{Tst}{T_N}$	$\frac{LRA}{FLA} \frac{Ist}{I_N}$	$\frac{BDT}{FLT} \frac{Tmax}{T_N}$	dB(A)
-------	-----------	-----	-----	-------	--------------	---------	-----------------------------------	-----------------------------------	------------------------------------	-------

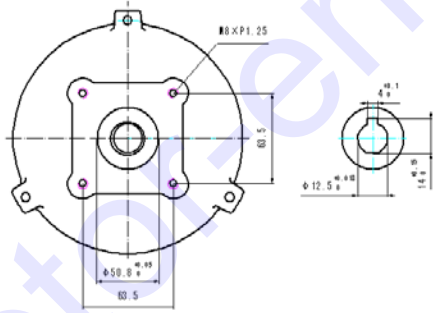
Synchronous speed 1500 r/min										
YYB100L2-4	3	6.6	1430	85.5	0.81	20.0	2.3	7.6	2.3	64
YYB112M-4	4	8.7	1450	86.6	0.81	26.3	2.2	7.8	2.3	65
YYB132S-4	5.5	11.6	1465	87.7	0.82	35.9	2.0	7.9	2.3	71
YYB132M-4	7.5	15.5	1465	88.7	0.83	48.9	2.0	7.5	2.3	71
YYB160M-4	11	22.4	1470	89.8	0.83	71.5	2.0	7.7	2.3	73
YYB160L-4	15	29.9	1470	90.6	0.84	97.4	2.0	7.8	2.3	73
YYB180M-4	18.5	36.3	1470	91.2	0.85	120	2.0	7.8	2.3	76
YYB180L-4	22	42.9	1465	91.6	0.85	143	2.0	7.8	2.3	76
YYB200L-4	30	58.1	1475	92.3	0.85	194	2.0	7.3	2.3	76
YYB225S-4	37	70.5	1480	92.7	0.86	239	2.0	7.4	2.3	78
YYB225M-4	45	85.4	1480	93.1	0.86	290	2.0	7.4	2.3	78
YYB250M-4	55	104	1485	93.5	0.86	354	2.0	7.4	2.3	79
YYB280S-4	75	139	1490	94.0	0.87	481	2.0	6.9	2.3	80
YYB280M-4	90	165	1485	94.2	0.88	579	2.0	6.9	2.3	80
Synchronous speed 1000 r/min										
YYB80M1-6	0.37	1.2	910	67.0	0.7	3.88	1.9	5.5	2.1	54
YYB80M2-6	0.55	1.7	910	70.0	0.71	5.77	1.9	5.5	2.1	54
YYB90S-6	0.75	2.1	935	75.9	0.71	7.66	2.0	6.0	2.1	57
YYB90L-6	1.1	3.0	935	78.1	0.72	11.2	2.0	6.0	2.1	57
YYB100L-6	1.5	4.0	945	79.8	0.72	15.2	2.0	6.5	2.1	61
YYB112M-6	2.2	5.7	965	81.8	0.72	21.8	2.0	6.6	2.1	65
YYB132S-6	3	7.6	975	83.3	0.72	29.4	1.9	6.8	2.1	69
YYB132M1-6	4	9.7	975	84.6	0.74	39.2	1.9	6.8	2.1	69
YYB132M2-6	5.5	13.0	975	86.0	0.75	53.9	1.9	7.0	2.1	69
YYB160M-6	7.5	16.8	975	87.2	0.78	73.5	2.0	7.0	2.1	70
YYB160L-6	11	23.9	975	88.7	0.79	108	2.0	7.2	2.1	70
YYB180L-6	15	31.8	980	89.7	0.80	146	1.9	7.3	2.1	73
YYB200L1-6	18.5	38.9	980	90.4	0.80	180	1.9	7.3	2.1	73
YYB200L2-6	22	45.4	980	90.9	0.81	214	1.9	7.4	2.1	73
YYB225M-6	30	60.6	985	91.7	0.82	291	1.9	6.9	2.1	74
YYB250M-6	37	73.5	985	92.2	0.83	359	1.9	7.1	2.1	76
YYB280S-6	45	86.8	990	92.7	0.85	434	1.9	7.3	2.0	78
YYB280M-6	55	104	990	93.1	0.86	531	1.9	7.3	2.0	78
Synchronous speed 750 r/min										
YYB90S-8	0.37	1.4	695	64.0	0.62	5.08	1.8	4.0	1.9	56
YYB90L-8	0.55	2.0	695	67.5	0.63	7.56	1.8	4.0	2.0	56
YYB100L1-8	0.75	2.3	705	71.5	0.68	10.2	1.8	4.0	2.0	59
YYB100L2-8	1.1	3.3	705	74.5	0.69	14.9	1.8	4.0	2.0	59
YYB112M-8	1.5	4.4	715	75.4	0.69	20.0	1.8	4.0	2.0	61

Model	Output kW	FLA	RPM	Eff.%	Power Factor	FLT N.m	$\frac{LRT}{FLT} \frac{Tst}{T_N}$	$\frac{LRA}{FLA} \frac{Ist}{I_N}$	$\frac{BDT}{FLT} \frac{Tmax}{T_N}$	dB(A)
Synchronous speed						750 r/min				
YYB132S-8	2.2	6.0	730	78.2	0.71	28.8	1.8	5.5	2.2	64
YYB132M-8	3	7.7	730	80.6	0.73	39.2	1.8	5.5	2.2	64
YYB160M1-8	4	10.1	725	82.7	0.73	52.7	1.9	6.0	2.2	68
YYB160M2-8	5.5	13.4	725	84.3	0.74	72.4	1.9	6.0	2.2	68
YYB160L-8	7.5	17.7	730	85.8	0.75	98.1	1.9	6.0	2.2	68
YYB180L-8	11	25.0	725	87.8	0.76	145	1.9	6.0	2.2	70
YYB200L-8	15	33.7	730	89.0	0.76	196	2.0	6.5	2.2	73
YYB225S-8	18.5	40.0	735	90.2	0.78	240	2.0	6.5	2.2	73
YYB225M-8	22	47.4	735	90.5	0.78	286	2.0	6.5	2.2	73
YYB250M-8	30	63.4	735	91.0	0.79	390	1.9	6.5	2.0	75
YYB280S-8	37	77.8	740	91.5	0.79	478	1.8	6.0	2.0	76
YYB280M-8	45	93.9	740	92.2	0.79	581	1.8	6.0	2.0	76

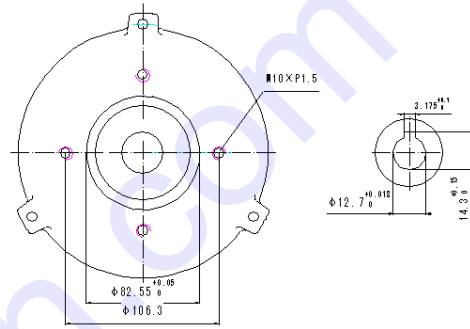
### Specification Table

No	Type	Shaft Hole Dimensions	Flange Inner Diameter	Hole Spacing	Screw
WN-01	PA	12.5×4	50.8	63.5×63.5	□ M8×1.25
WN-02	20L	12.7×3.175	82.55	φ 106.3	+ M10×1.5
WN-03	AP-100	12.7×3.2	50.8	φ 82.55	+ M8×1.25
WN-04	DS	16×5	70	φ 98	+ M8×1.25
WN-05	FA1	19.05×4.76	82.55	φ 106.3	+ M10×1.5
WN-06	30L	19.05×4.76	95.02	90×90	□ M10×1.5
WN-07	GSP2	18×6	80	71.5×(35+65)	M8×1.25
WN-08	50L	22×5	96	90×90	□ M10×1.5
WN-09	T6C	22.23×6.35	101.6	φ 146	+ M12×1.75
WN-10	T6B	25.4×6.35	101.6	φ 146	+ M12×1.75
WN-11	150T	30×7	160	φ 187	□ M12×1.75
WN-12	PV2R3	31.75×7.94	127	φ 181	+ M16×2.0

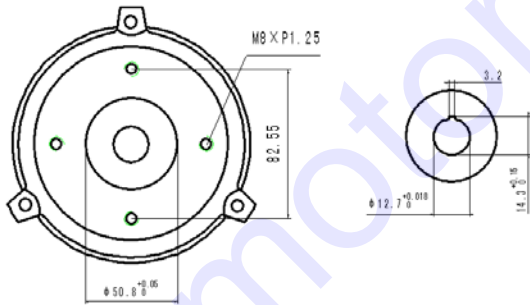
Remarks: “□” indicates the 45° position distribution of the screw hole, and “+” indicates the 90° position distribution of the screw hole.



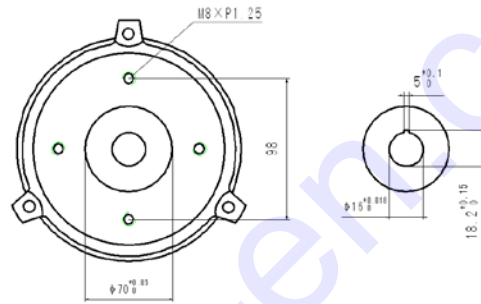
PA (WN-01)



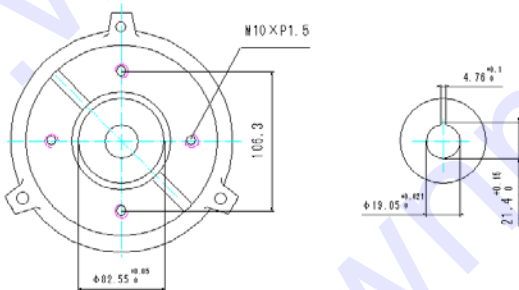
20L (WN-02)



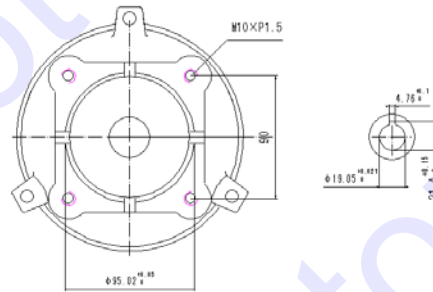
AP-100 (WN-03)



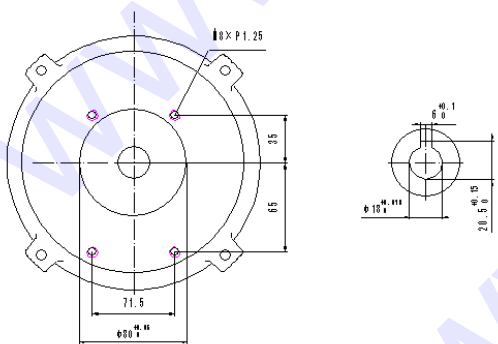
DS (WN-04)



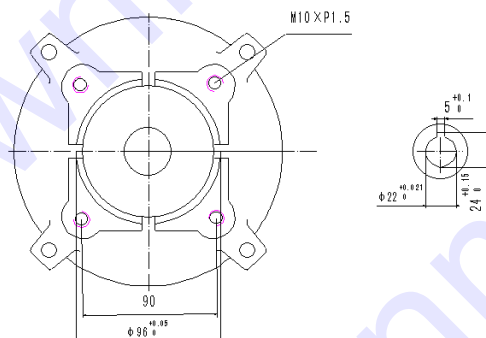
FA1 (WN-05)



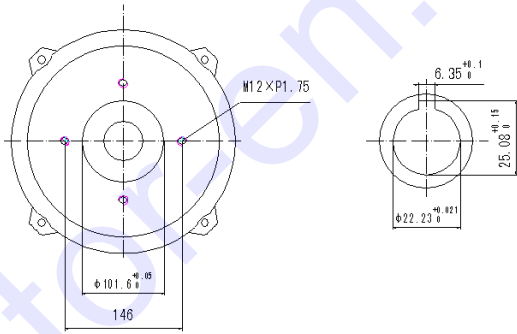
30L (WN-06)



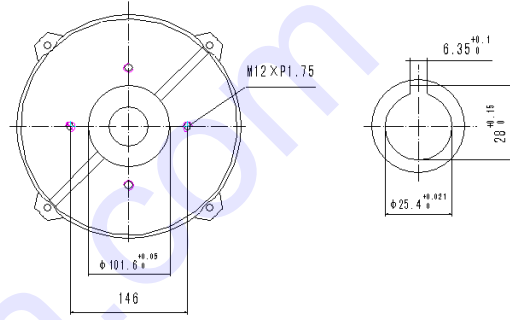
GSP2 (WN-07)



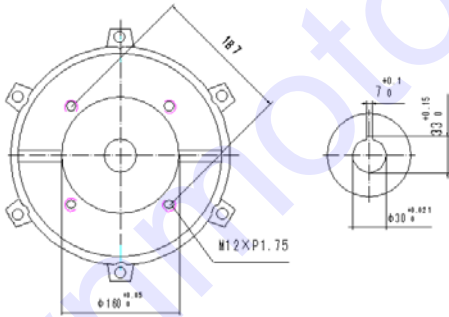
50L (WN-08)



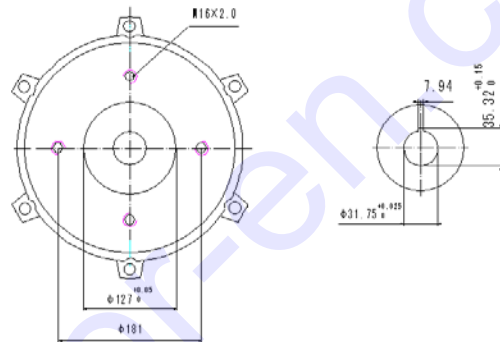
T6C (WN-09)



T6B (WN-10)



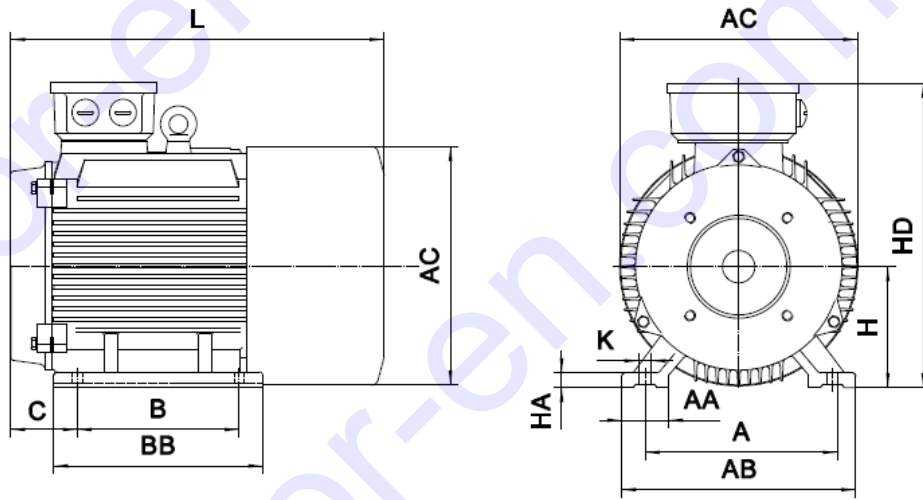
150T (WN-11)



PV2R3 (WN-12)

**Dimensions & Mounting**

mm



Frame	Poles	Mounting Dimension					Overall Dimension						
		A	B	C	H	K	AA	BB	HA	AB	AC	HD	L
80M	2、4、6、8	125	100	Depend on the model of the user's pump	80	10	32	135	10	165	170	230	270
90S	2、4、6、8	140	100		90	10	34	145	12	185	185	260	280
90L			125					170					305
100L		160	140		100	12	39	186	14	205	210	280	345
112M	2、4、6、8	190	140		112	12	45	200	14	235	230	305	380
132S			140					132					12
132M		4、6、8	216		178	160	15	65	230	20	320	320	425
160M	2、4、6、8	254	210		160	15	65	260	20	320	320	425	520
160L			254					304					565
180M	2、4	279	241		180	15	70	311	22	360	365	450	590
180L	4、6、8		279					349					630
200L	2、4、6、8	318	305		200	19	74	379	26	400	405	510	690
225S	4、8	356	286		225	19	78	375	28	440	455	555	670
225M	2、4、6、8		311					400					695
250M	2、4、6、8	406	349		250	24	80	445	30	495	515	635	755
280S	2、4、6、8	457	368		280	24	90	485	35	550	555	680	850
280M	2、4、6、8		419	536				905					

Note: Data above may be changed without prior notice.