

YFP Series Induction Motors for Direct Connected Fans and Pumps



- Frame sizes: 80-355 Rated output: 0.18-315Kw
- Voltage: 380V Frequency: 50Hz
- Duty Cycle: S1 Insulation class: F
- Efficiency levels: IE2 (YFP) / IE3 (YFP3)
- Number of poles: 2,4,6,8,10

Applications: Directly couple with the equipment which can withstand axial load, such as pumps, fans.

Features: High efficiency, energy saving, low noise, little vibration, F insulation class, IP54 or IP55 protection class.

Circumstance: Altitude not exceeds 1000m above sea level. The highest ambient temperature shall be no higher than 40°C.

Performance Data

380V 50Hz

| Model | Output kW | FLA | RPM | Eff. % | Power Factor | $\frac{LRT}{FLT}$ $\frac{I_{st}}{I_N}$ | $\frac{LRA}{FLA}$ $\frac{I_{st}}{I_N}$ | $\frac{BDT}{FLT}$ $\frac{T_{max}}{T_N}$ |
|-------------------|-----------|------|------|--------|--------------|---|---|--|
| Synchronous speed | | | | | 3000 r/min | | | |
| YFP80M1-2 | 0.75 | 1.8 | 2855 | 77.4 | 0.82 | 2.2 | 7.0 | 2.3 |
| YFP80M2-2 | 1.1 | 2.5 | 2870 | 79.6 | 0.83 | 2.2 | 7.3 | 2.3 |
| YFP90S-2 | 1.5 | 3.3 | 2865 | 81.3 | 0.84 | 2.2 | 7.6 | 2.3 |
| YFP90L-2 | 2.2 | 4.7 | 2870 | 83.2 | 0.85 | 2.2 | 7.6 | 2.3 |
| YFP100L-2 | 3 | 6.2 | 2875 | 84.6 | 0.87 | 2.2 | 7.8 | 2.3 |
| YFP112M-2 | 4 | 8.0 | 2910 | 85.8 | 0.88 | 2.2 | 8.3 | 2.3 |
| YFP132S1-2 | 5.5 | 10.9 | 2935 | 87.0 | 0.88 | 2.0 | 8.3 | 2.3 |
| YFP132S2-2 | 7.5 | 14.5 | 2930 | 88.1 | 0.89 | 2.0 | 7.9 | 2.3 |
| YFP160M1-2 | 11 | 21.0 | 2950 | 89.4 | 0.89 | 2.0 | 8.1 | 2.3 |
| YFP160M2-2 | 15 | 28.4 | 2945 | 90.3 | 0.89 | 2.0 | 8.1 | 2.3 |
| YFP160L-2 | 18.5 | 34.7 | 2945 | 90.9 | 0.89 | 2.0 | 8.2 | 2.3 |
| YFP180M-2 | 22 | 41.1 | 2950 | 91.3 | 0.89 | 2.0 | 8.2 | 2.3 |
| YFP200L1-2 | 30 | 55.7 | 2960 | 92.0 | 0.89 | 2.0 | 7.6 | 2.3 |
| YFP200L2-2 | 37 | 68.3 | 2960 | 92.5 | 0.89 | 2.0 | 7.6 | 2.3 |
| YFP225M-2 | 45 | 82.7 | 2965 | 92.9 | 0.89 | 2.0 | 7.7 | 2.3 |
| YFP250M-2 | 55 | 101 | 2970 | 93.2 | 0.89 | 2.0 | 7.7 | 2.3 |
| YFP280S-2 | 75 | 137 | 2975 | 93.8 | 0.89 | 1.8 | 7.1 | 2.3 |
| YFP280M-2 | 90 | 163 | 2970 | 94.1 | 0.89 | 1.8 | 7.1 | 2.3 |

Performance Data

380V 50Hz

| Model | Output kW | FLA | RPM | Eff. % | Power Factor | $\frac{LRT}{FLT}$ $\frac{Tst}{T_N}$ | $\frac{LRA}{FLA}$ $\frac{Ist}{I_N}$ | $\frac{BDT}{FLT}$ $\frac{Tmax}{T_N}$ |
|------------------------------|-----------|------|------|--------|--------------|--|--|---|
| Synchronous speed 3000 r/min | | | | | | | | |
| YFP315S-2 | 110 | 197 | 2975 | 94.3 | 0.90 | 1.8 | 7.1 | 2.3 |
| YFP315M-2 | 132 | 236 | 2975 | 94.6 | 0.90 | 1.8 | 7.1 | 2.3 |
| YFP315L1-2 | 160 | 282 | 2975 | 94.8 | 0.91 | 1.8 | 7.2 | 2.3 |
| YFP315L-2 | 185 | 325 | 2975 | 94.9 | 0.91 | 1.8 | 7.2 | 2.3 |
| YFP315L2-2 | 200 | 352 | 2975 | 95.0 | 0.91 | 1.8 | 7.2 | 2.2 |
| YFP315L3-2 | 220 | 387 | 2975 | 95.0 | 0.91 | 1.8 | 7.2 | 2.2 |
| YFP355M1-2 | 220 | 387 | 2980 | 95.0 | 0.91 | 1.8 | 7.2 | 2.2 |
| YFP355M-2 | 250 | 439 | 2980 | 95.0 | 0.91 | 1.6 | 7.2 | 2.2 |
| YFP355L1-2 | 280 | 492 | 2980 | 95.0 | 0.91 | 1.6 | 7.2 | 2.2 |
| YFP355L-2 | 315 | 554 | 2980 | 95.0 | 0.91 | 1.6 | 7.2 | 2.2 |
| Synchronous speed 1500 r/min | | | | | | | | |
| YFP80M1-4 | 0.55 | 1.4 | 1430 | 79.0 | 0.75 | 2.3 | 6.0 | 2.3 |
| YFP80M2-4 | 0.75 | 1.9 | 1425 | 79.6 | 0.76 | 2.3 | 6.6 | 2.3 |
| YFP90S-4 | 1.1 | 2.7 | 1420 | 81.4 | 0.77 | 2.3 | 6.8 | 2.3 |
| YFP90L-4 | 1.5 | 3.5 | 1420 | 82.8 | 0.78 | 2.3 | 7.0 | 2.3 |
| YFP100L1-4 | 2.2 | 5.0 | 1430 | 84.3 | 0.80 | 2.3 | 7.6 | 2.3 |
| YFP100L2-4 | 3 | 6.6 | 1430 | 85.5 | 0.81 | 2.3 | 7.6 | 2.3 |
| YFP112M-4 | 4 | 8.7 | 1450 | 86.6 | 0.81 | 2.2 | 7.8 | 2.3 |
| YFP132S-4 | 5.5 | 11.6 | 1465 | 87.7 | 0.82 | 2.0 | 7.9 | 2.3 |
| YFP132M-4 | 7.5 | 15.5 | 1465 | 88.7 | 0.83 | 2.0 | 7.5 | 2.3 |
| YFP160M-4 | 11 | 22.4 | 1470 | 89.8 | 0.83 | 2.0 | 7.7 | 2.3 |
| YFP160L-4 | 15 | 29.9 | 1470 | 90.6 | 0.84 | 2.0 | 7.8 | 2.3 |
| YFP180M-4 | 18.5 | 36.3 | 1470 | 91.2 | 0.85 | 2.0 | 7.8 | 2.3 |
| YFP180L-4 | 22 | 42.9 | 1465 | 91.6 | 0.85 | 2.0 | 7.8 | 2.3 |
| YFP200L-4 | 30 | 58.1 | 1475 | 92.3 | 0.85 | 2.0 | 7.3 | 2.3 |
| YFP225S-4 | 37 | 70.5 | 1480 | 92.7 | 0.86 | 2.0 | 7.4 | 2.3 |
| YFP225M-4 | 45 | 85.4 | 1480 | 93.1 | 0.86 | 2.0 | 7.4 | 2.3 |
| YFP250M-4 | 55 | 104 | 1485 | 93.5 | 0.86 | 2.0 | 7.4 | 2.3 |
| YFP280S-4 | 75 | 139 | 1490 | 94.0 | 0.87 | 2.0 | 6.9 | 2.3 |
| YFP280M-4 | 90 | 165 | 1485 | 94.2 | 0.88 | 2.0 | 6.9 | 2.3 |
| YFP315S-4 | 110 | 199 | 1485 | 94.5 | 0.89 | 2.0 | 7.0 | 2.2 |
| YFP315M-4 | 132 | 238 | 1485 | 94.7 | 0.89 | 2.0 | 7.0 | 2.2 |
| YFP315L1-4 | 160 | 285 | 1485 | 94.9 | 0.90 | 2.0 | 7.1 | 2.2 |
| YFP315L-4 | 185 | 329 | 1485 | 95.0 | 0.90 | 2.0 | 7.1 | 2.2 |
| YFP315L2-4 | 200 | 355 | 1485 | 95.1 | 0.90 | 2.0 | 7.1 | 2.2 |
| YFP315L3-4 | 220 | 391 | 1485 | 95.1 | 0.90 | 2.0 | 7.1 | 2.2 |
| YFP355M1-4 | 220 | 391 | 1490 | 95.1 | 0.90 | 2.0 | 7.1 | 2.2 |

Performance Data

380V 50Hz

| Model | Output kW | FLA | RPM | Eff. % | Power Factor | $\frac{LRT}{FLT} \frac{Tst}{T_N}$ | $\frac{LRA}{FLA} \frac{Ist}{I_N}$ | $\frac{BDT}{FLT} \frac{Tmax}{T_N}$ |
|------------------------------|-----------|------|------|--------|--------------|-----------------------------------|-----------------------------------|------------------------------------|
| Synchronous speed 1500 r/min | | | | | | | | |
| YFP355M-4 | 250 | 444 | 1490 | 95.1 | 0.90 | 2.0 | 7.1 | 2.2 |
| YFP355L1-4 | 280 | 497 | 1490 | 95.1 | 0.90 | 2.0 | 7.1 | 2.2 |
| YFP355L-4 | 315 | 559 | 1490 | 95.1 | 0.90 | 2.0 | 7.1 | 2.2 |
| Synchronous speed 1000 r/min | | | | | | | | |
| YFP80M1-6 | 0.37 | 1.2 | 910 | 67.0 | 0.70 | 1.9 | 5.5 | 2.0 |
| YFP80M2-6 | 0.55 | 1.7 | 910 | 70.0 | 0.71 | 1.9 | 5.5 | 2.1 |
| YFP90S-6 | 0.75 | 2.1 | 935 | 75.9 | 0.71 | 2.0 | 6.0 | 2.1 |
| YFP90L-6 | 1.1 | 3.0 | 935 | 78.1 | 0.72 | 2.0 | 6.0 | 2.1 |
| YFP100L-6 | 1.5 | 4.0 | 945 | 79.8 | 0.72 | 2.0 | 6.5 | 2.1 |
| YFP112M-6 | 2.2 | 5.7 | 965 | 81.8 | 0.72 | 2.0 | 6.6 | 2.1 |
| YFP132S-6 | 3 | 7.6 | 975 | 83.3 | 0.72 | 1.9 | 6.8 | 2.1 |
| YFP132M1-6 | 4 | 9.7 | 975 | 84.6 | 0.74 | 1.9 | 6.8 | 2.1 |
| YFP132M2-6 | 5.5 | 13.0 | 975 | 86.0 | 0.75 | 1.9 | 7.0 | 2.1 |
| YFP160M-6 | 7.5 | 16.8 | 975 | 87.2 | 0.78 | 2.0 | 7.0 | 2.1 |
| YFP160L-6 | 11 | 23.9 | 975 | 88.7 | 0.79 | 2.0 | 7.2 | 2.1 |
| YFP180L-6 | 15 | 31.8 | 980 | 89.7 | 0.80 | 1.9 | 7.3 | 2.1 |
| YFP200L1-6 | 18.5 | 38.9 | 980 | 90.4 | 0.80 | 1.9 | 7.3 | 2.1 |
| YFP200L2-6 | 22 | 45.4 | 980 | 90.9 | 0.81 | 1.9 | 7.4 | 2.1 |
| YFP225M-6 | 30 | 60.6 | 985 | 91.7 | 0.82 | 1.9 | 6.9 | 2.1 |
| YFP250M-6 | 37 | 73.5 | 985 | 92.2 | 0.83 | 1.9 | 7.1 | 2.1 |
| YFP280S-6 | 45 | 86.8 | 990 | 92.7 | 0.85 | 1.9 | 7.3 | 2.0 |
| YFP280M-6 | 55 | 104 | 990 | 93.1 | 0.86 | 1.9 | 7.3 | 2.0 |
| YFP315S-6 | 75 | 145 | 990 | 93.7 | 0.84 | 1.9 | 6.6 | 2.0 |
| YFP315M-6 | 90 | 171 | 990 | 94.0 | 0.85 | 1.9 | 6.7 | 2.0 |
| YFP315L1-6 | 110 | 209 | 990 | 94.3 | 0.85 | 1.9 | 6.7 | 2.0 |
| YFP315L2-6 | 132 | 247 | 990 | 94.6 | 0.86 | 1.9 | 6.8 | 2.0 |
| YFP315L3-6 | 160 | 298 | 990 | 94.8 | 0.86 | 1.9 | 6.8 | 2.0 |
| YFP355M1-6 | 160 | 298 | 990 | 94.8 | 0.86 | 1.9 | 6.8 | 2.0 |
| YFP355M-6 | 185 | 344 | 990 | 94.9 | 0.86 | 1.9 | 6.8 | 2.0 |
| YFP355M2-6 | 200 | 372 | 990 | 95.0 | 0.86 | 1.9 | 6.8 | 2.0 |
| YFP355L1-6 | 220 | 409 | 990 | 95.0 | 0.86 | 1.9 | 6.8 | 2.0 |
| YFP355L-6 | 250 | 465 | 990 | 95.0 | 0.86 | 1.9 | 6.8 | 2.0 |
| Synchronous speed 750 r/min | | | | | | | | |
| YFP80M1-8 | 0.18 | 0.8 | 700 | 52.8 | 0.61 | 1.8 | 3.3 | 1.9 |
| YFP80M2-8 | 0.25 | 1.1 | 700 | 57.0 | 0.61 | 1.8 | 3.3 | 1.9 |
| YFP90S-8 | 0.37 | 1.4 | 695 | 64.0 | 0.62 | 1.8 | 4.0 | 1.9 |

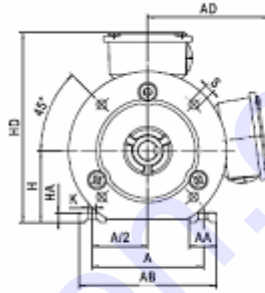
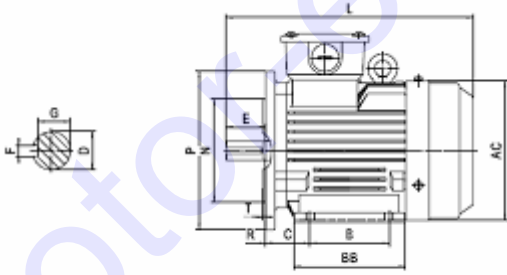
Performance Data

380V 50Hz

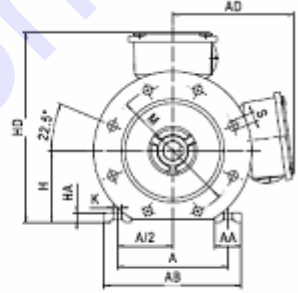
| Model | Output kW | FLA | RPM | Eff. % | Power Factor | $\frac{LRT}{FLT} \frac{Tst}{T_N}$ | $\frac{LRA}{FLA} \frac{Ist}{I_N}$ | $\frac{BDT}{FLT} \frac{Tmax}{T_N}$ |
|-----------------------------|-----------|------|-----|--------|--------------|-----------------------------------|-----------------------------------|------------------------------------|
| Synchronous speed 750 r/min | | | | | | | | |
| YFP90L-8 | 0.55 | 2.0 | 695 | 67.5 | 0.63 | 1.8 | 4.0 | 1.9 |
| YFP100L1-8 | 0.75 | 2.3 | 705 | 71.5 | 0.68 | 1.8 | 4.0 | 2.0 |
| YFP100L2-8 | 1.1 | 3.3 | 705 | 74.5 | 0.69 | 1.8 | 4.0 | 2.0 |
| YFP112M-8 | 1.5 | 4.4 | 715 | 75.4 | 0.69 | 1.8 | 4.0 | 2.0 |
| YFP132S-8 | 2.2 | 6.0 | 730 | 78.2 | 0.71 | 1.8 | 5.5 | 2.2 |
| YFP132M-8 | 3 | 7.7 | 730 | 80.6 | 0.73 | 1.8 | 5.5 | 2.2 |
| YFP160M1-8 | 4 | 10.1 | 725 | 82.7 | 0.73 | 1.9 | 6.0 | 2.2 |
| YFP160M2-8 | 5.5 | 13.4 | 725 | 84.3 | 0.74 | 1.9 | 6.0 | 2.2 |
| YFP160L-8 | 7.5 | 17.7 | 730 | 85.8 | 0.75 | 1.9 | 6.0 | 2.2 |
| YFP180L-8 | 11 | 25.0 | 725 | 87.8 | 0.76 | 1.9 | 6.0 | 2.2 |
| YFP200L-8 | 15 | 33.7 | 730 | 89.0 | 0.76 | 2.0 | 6.5 | 2.2 |
| YFP225S-8 | 18.5 | 40.0 | 735 | 90.2 | 0.78 | 2.0 | 6.5 | 2.2 |
| YFP225M-8 | 22 | 47.4 | 735 | 90.5 | 0.78 | 2.0 | 6.5 | 2.2 |
| YFP250M-8 | 30 | 63.4 | 735 | 91.0 | 0.79 | 1.9 | 6.5 | 2.0 |
| YFP280S-8 | 37 | 77.8 | 740 | 91.5 | 0.79 | 1.8 | 6.0 | 2.0 |
| YFP280M-8 | 45 | 93.9 | 740 | 92.2 | 0.79 | 1.8 | 6.0 | 2.0 |
| YFP315S-8 | 55 | 111 | 740 | 93.1 | 0.81 | 1.8 | 6.5 | 2.0 |
| YFP315M-8 | 75 | 151 | 740 | 93.2 | 0.81 | 1.8 | 6.5 | 2.0 |
| YFP315L1-8 | 90 | 181 | 740 | 93.2 | 0.81 | 1.8 | 6.5 | 2.0 |
| YFP315L2-8 | 110 | 218 | 740 | 93.5 | 0.82 | 1.8 | 6.5 | 2.0 |
| YFP355M1-8 | 132 | 261 | 745 | 93.7 | 0.82 | 1.8 | 6.5 | 2.0 |
| YFP355M2-8 | 160 | 314 | 745 | 94.3 | 0.82 | 1.8 | 6.5 | 2.0 |
| YFP355L1-8 | 185 | 364 | 745 | 94.3 | 0.82 | 1.8 | 6.5 | 2.0 |
| YFP355L-8 | 200 | 392 | 745 | 94.5 | 0.82 | 1.8 | 6.5 | 2.0 |
| Synchronous speed 600 r/min | | | | | | | | |
| YFP315S-10 | 45 | 100 | 590 | 91.5 | 0.75 | 1.5 | 6.0 | 2.0 |
| YFP315M-10 | 55 | 121 | 590 | 92.0 | 0.75 | 1.5 | 6.0 | 2.0 |
| YFP315L1-10 | 75 | 162 | 590 | 92.5 | 0.76 | 1.5 | 6.0 | 2.0 |
| YFP315L2-10 | 90 | 191 | 590 | 93.0 | 0.77 | 1.5 | 6.0 | 2.0 |
| YFP355M1-10 | 110 | 230 | 595 | 93.2 | 0.78 | 1.3 | 5.5 | 2.0 |
| YFP355M2-10 | 132 | 275 | 595 | 93.6 | 0.78 | 1.3 | 5.5 | 2.0 |
| YFP355L1-10 | 160 | 333 | 595 | 93.6 | 0.78 | 1.3 | 5.5 | 2.0 |
| YFP355L-10 | 185 | 385 | 595 | 93.6 | 0.78 | 1.3 | 5.5 | 2.0 |

Dimensions & Mounting
B35 (Foot and B5 Flange Mounted)

mm



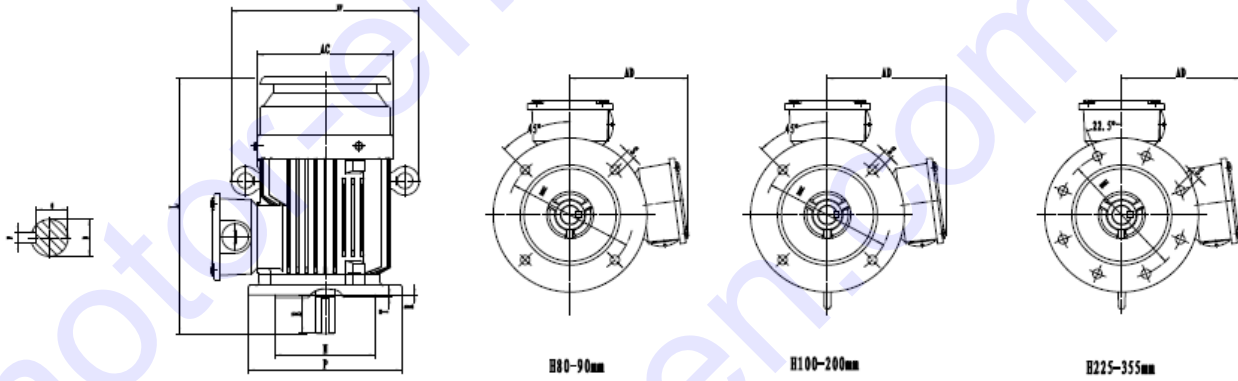
H80-200mm



H225-355mm

| Frame | Poles | Mounting Dimension | | | | | | | | | | | | | | | Overall Dimension | | | | | | | | | | | | | | | | | | | | | | | |
|-------|----------|--------------------|-----|-----|-----|-----|----|------|-----|------|-----|-----|-----|-----|-------|-----|-------------------|-----|----|-----|-----|-----|-----|------|------|-------|-----|----|-------|-----|-----|-----|------|-----|------|-----|------|------|------|------|
| | | A | B | C | D | E | F | G | H | K | M | N | P | R | S | T | AA | BB | HA | AB | AC | AD | HD | L | | | | | | | | | | | | | | | | |
| 80M | 2,4,6,8 | 125 | 100 | 50 | 19 | 40 | 6 | 15.5 | 80 | 10 | 165 | 130 | 200 | 0 | 4-Φ12 | 3.5 | 32 | 135 | 10 | 160 | 165 | 145 | 225 | 320 | | | | | | | | | | | | | | | | |
| 90S | 2,4,6,8 | 140 | 100 | 56 | 24 | 50 | 8 | 20 | 90 | 10 | 165 | 130 | 200 | 0 | 4-Φ12 | 3.5 | 34 | 145 | 12 | 180 | 180 | 165 | 255 | 350 | | | | | | | | | | | | | | | | |
| 90L | | | 125 | | | | | | | | | | | | | | | 170 | | | | | | 375 | | | | | | | | | | | | | | | | |
| 100L | 2,4,6,8 | 160 | 140 | 63 | 28 | 60 | 8 | 24 | 100 | 12 | 215 | 180 | 250 | 0 | 4-Φ15 | 4 | 39 | 186 | 14 | 200 | 205 | 175 | 275 | 415 | | | | | | | | | | | | | | | | |
| 112M | 2,4,6,8 | 190 | 140 | 70 | 28 | 60 | 8 | 24 | 112 | 12 | 215 | 180 | 250 | 0 | 4-Φ15 | 4 | 45 | 200 | | 230 | 225 | 190 | 300 | 455 | | | | | | | | | | | | | | | | |
| 132S | 2,4,6,8 | 216 | 140 | 89 | 38 | 80 | 10 | 33 | 132 | 12 | 265 | 230 | 300 | 0 | 4-Φ15 | 4 | 55 | 190 | 18 | 265 | 270 | 220 | 350 | 500 | | | | | | | | | | | | | | | | |
| 132M | | | 178 | | | | | | | | | | | | | | | 230 | | | | | | 540 | | | | | | | | | | | | | | | | |
| 160M | 2,4,6,8 | 254 | 210 | 108 | 42 | 110 | 12 | 37 | 160 | 15 | 300 | 250 | 350 | 0 | 4-Φ19 | 5 | 65 | 260 | 20 | 315 | 320 | 260 | 420 | 625 | | | | | | | | | | | | | | | | |
| 160L | | | 254 | | | | | | | | | | | | | | | 304 | | | | | | 670 | | | | | | | | | | | | | | | | |
| 180M | 2,4,6,8 | 279 | 241 | 121 | 48 | 110 | 14 | 42.5 | 180 | 15 | 300 | 250 | 350 | 0 | 4-Φ19 | 5 | 70 | 311 | 22 | 355 | 360 | 265 | 445 | 710 | | | | | | | | | | | | | | | | |
| 180L | | | 279 | | | | | | | | | | | | | | | 349 | | | | | | 750 | | | | | | | | | | | | | | | | |
| 200L | 2,4,6,8 | 318 | 305 | 133 | 55 | 110 | 16 | 49 | 200 | 19 | 350 | 300 | 400 | 0 | 4-Φ19 | 5 | 74 | 379 | 26 | 395 | 400 | 305 | 505 | 805 | | | | | | | | | | | | | | | | |
| 225S | 4,8 | 356 | 286 | 149 | 60 | 140 | 18 | 53 | 225 | 19 | 400 | 350 | 450 | 0 | 8-Φ19 | 5 | 78 | 375 | 28 | 435 | 450 | 325 | 550 | 840 | | | | | | | | | | | | | | | | |
| 225M | 2 | | 311 | | 55 | 110 | 16 | 49 | | | | | | | | | | 400 | | | | | | 450 | 0 | 8-Φ19 | 5 | 78 | 400 | 550 | 835 | | | | | | | | | |
| | 4,6,8 | | 60 | | 140 | 18 | 53 | 865 | | | | | | | | | | | | | | | | | | | | | | | | | | | | | | | | |
| 250M | 2 | 406 | 349 | 168 | 60 | 140 | 18 | 53 | 250 | 24 | 500 | 450 | 550 | 0 | 8-Φ19 | 5 | 80 | 445 | 30 | 490 | 510 | 380 | 630 | 925 | | | | | | | | | | | | | | | | |
| | 4,6,8 | | | | 65 | | | 58 | | | | | | | | | | | | | | | | | | | | | | | | | | | | | | | | |
| 280S | 2 | 457 | 368 | 190 | 65 | 140 | 18 | 58 | 280 | 24 | 500 | 450 | 550 | 0 | 8-Φ19 | 5 | 90 | 485 | 35 | 545 | 550 | 395 | 675 | 990 | | | | | | | | | | | | | | | | |
| | 4,6,8 | | | | 75 | | | 20 | | | | | | | | | | | | | | | | | 67.5 | | | | | | | | | | | | | | | |
| 280M | 2 | | 419 | | 65 | 140 | 18 | 58 | | | | | | | | | | 280 | | | | | | 24 | 500 | 450 | 550 | 0 | 8-Φ19 | 5 | 90 | 536 | 1045 | | | | | | | |
| | 4,6,8 | | | | 75 | | | | | | | | | | | | | | | | | | | | | | | | | | | | | 20 | 67.5 | | | | | |
| 315S | 2 | 508 | 406 | 216 | 65 | 140 | 18 | 58 | 315 | 28 | 600 | 550 | 660 | 0 | 8-Φ24 | 6 | 120 | 570 | 45 | 635 | 630 | 540 | 855 | 1210 | | | | | | | | | | | | | | | | |
| | 4,6,8,10 | | | | 80 | | | 170 | | | | | | | | | | | | | | | | 22 | 71 | 1240 | | | | | | | | | | | | | | |
| 315M | 2 | | 457 | | 65 | 140 | 18 | 58 | | | | | | | | | | 315 | | | | | | 28 | 600 | 550 | 660 | 0 | 8-Φ24 | 6 | 120 | 610 | 1245 | | | | | | | |
| | 4,6,8,10 | | | | 80 | | | | | | | | | | | | | | | | | | | | | | | | | | | | | 170 | 22 | 71 | 1275 | | | |
| 315L | 2 | 508 | 457 | 216 | 65 | 140 | 18 | 58 | 315 | 28 | 600 | 550 | 660 | 0 | 8-Φ24 | 6 | 120 | 680 | 45 | 635 | 630 | 540 | 855 | 1320 | | | | | | | | | | | | | | | | |
| | 4,6,8,10 | | | | 80 | | | 170 | | | | | | | | | | | | | | | | 22 | 71 | 1350 | | | | | | | | | | | | | | |
| 355M | 2 | 610 | 560 | 254 | 75 | 140 | 20 | 67.5 | | | | | | | | | | 355 | | | | | | 28 | 740 | 680 | 800 | 0 | 8-Φ24 | 6 | 130 | 690 | 52 | 735 | 715 | 645 | 1000 | 1500 | | |
| | 4,6,8,10 | | | | 95 | | | 170 | | | | | | | | | | | | | | | | | | | | | | | | | | | | | | 25 | 86 | 1530 |
| 355L | 2 | | 630 | | 560 | 254 | 75 | 140 | 20 | 67.5 | 355 | 28 | 740 | 680 | 800 | 0 | 8-Φ24 | | 6 | 130 | 750 | 52 | 735 | | | | | | | | | 715 | | | | | | 645 | 1000 | 1500 |
| | 4,6,8,10 | | | | | | 95 | | | 170 | | | | | | | | | | | | | | | | | | | | | | | | | | | | | | 25 |

V1 (Vertical Shaft down Footless Flange Mounted)



| Frame | Poles | Mounting Dimension | | | | | | | | | | Overall Dimension | | | | | | | | | | | | |
|-------|-------------|--------------------|-----|----|------|------|-----|-----|---|-------|-----|-------------------|-----|-----|------|-----|-----|---|-------|---|-----|-----|------|------|
| | | D | E | F | G | M | N | P | R | S | T | AC | AD | HF | L | | | | | | | | | |
| 80M | 2,4,6,8 | 19 | 40 | 6 | 15.5 | 165 | 130 | 200 | 0 | 4-Φ12 | 3.5 | 165 | 145 | — | 350 | | | | | | | | | |
| 90S | 2,4,6,8 | 24 | 50 | 8 | 20 | 165 | 130 | 200 | 0 | 4-Φ12 | 3.5 | 180 | 165 | — | 375 | | | | | | | | | |
| 90L | | 400 | | | | | | | | | | | | | | | | | | | | | | |
| 100L | 2,4,6,8 | 28 | 60 | 8 | 24 | 215 | 180 | 250 | 0 | 4-Φ15 | 4 | 205 | 175 | 275 | 445 | | | | | | | | | |
| 112M | 2,4,6,8 | 28 | 60 | 8 | 24 | 215 | 180 | 250 | 0 | 4-Φ15 | 4 | 225 | 190 | 285 | 485 | | | | | | | | | |
| 132S | 2,4,6,8 | 38 | 80 | 10 | 33 | 265 | 230 | 300 | 0 | 4-Φ15 | 4 | 270 | 220 | 380 | 535 | | | | | | | | | |
| 132M | | 575 | | | | | | | | | | | | | | | | | | | | | | |
| 160M | 2,4,6,8 | 42 | 110 | 12 | 37 | 300 | 250 | 350 | 0 | 4-Φ19 | 5 | 320 | 260 | 440 | 675 | | | | | | | | | |
| 160L | | 720 | | | | | | | | | | | | | | | | | | | | | | |
| 180M | 2,4,6,8 | 48 | 110 | 14 | 42.5 | 300 | 250 | 350 | 0 | 4-Φ19 | 5 | 360 | 265 | 475 | 775 | | | | | | | | | |
| 180L | | 815 | | | | | | | | | | | | | | | | | | | | | | |
| 200L | 2,4,6,8 | 55 | 110 | 16 | 49 | 350 | 300 | 400 | 0 | 4-Φ19 | 5 | 400 | 305 | 535 | 870 | | | | | | | | | |
| 225S | 4,8 | 60 | 140 | 18 | 53 | 400 | 350 | 450 | 0 | 8-Φ19 | 5 | 450 | 325 | 590 | 900 | | | | | | | | | |
| 225M | 2 | 55 | 110 | 16 | 49 | | | | | | | | | | 895 | | | | | | | | | |
| | 4,6,8 | 60 | 140 | 18 | 53 | | | | | | | | | | 925 | | | | | | | | | |
| 250M | 2 | 60 | 140 | 18 | 53 | 500 | 450 | 550 | 0 | 8-Φ19 | 5 | 510 | 380 | 640 | 985 | | | | | | | | | |
| | 4,6,8 | 65 | | 58 | | | | | | | | | | | | | | | | | | | | |
| 280S | 2 | 65 | 140 | 18 | 58 | 500 | 450 | 550 | 0 | 8-Φ19 | 5 | 550 | 395 | 740 | 1065 | | | | | | | | | |
| | 4,6,8 | 75 | | 20 | 67.5 | | | | | | | | | | | | | | | | | | | |
| 280M | 2 | 65 | | 18 | 58 | | | | | | | | | | 1115 | | | | | | | | | |
| | 4,6,8 | 75 | | 20 | 67.5 | | | | | | | | | | | | | | | | | | | |
| 315S | 2 | 65 | 140 | 18 | 58 | 600 | 550 | 660 | 0 | 8-Φ24 | 6 | 630 | 540 | 900 | 1330 | | | | | | | | | |
| | 4,6,8,10 | 80 | 170 | 22 | 71 | | | | | | | | | | 1360 | | | | | | | | | |
| 315M | 2 | 65 | 140 | 18 | 58 | | | | | | | | | | 1365 | | | | | | | | | |
| | 4,6,8,10 | 80 | 170 | 22 | 71 | | | | | | | | | | 1395 | | | | | | | | | |
| 315L | 2 | 65 | 140 | 18 | 58 | | | | | | | | | | 1440 | | | | | | | | | |
| | 4,6,8,10 | 80 | 170 | 22 | 71 | | | | | | | | | | 1470 | | | | | | | | | |
| 355M | 2 | 75 | 140 | 20 | 67.5 | | | | | | | | | | 740 | 680 | 800 | 0 | 8-Φ24 | 6 | 715 | 645 | 1010 | 1640 |
| | 4,6,8,10,12 | 95 | 170 | 25 | 86 | | | | | | | | | | | | | | | | | | | 1670 |
| 355L | 2 | 75 | 140 | 20 | 67.5 | 1640 | | | | | | | | | | | | | | | | | | |
| | 4,6,8,10,12 | 95 | 170 | 25 | 86 | 1670 | | | | | | | | | | | | | | | | | | |

* Dimensions here are indicative only. Actual product may differ. Data above may be changed without prior notice.