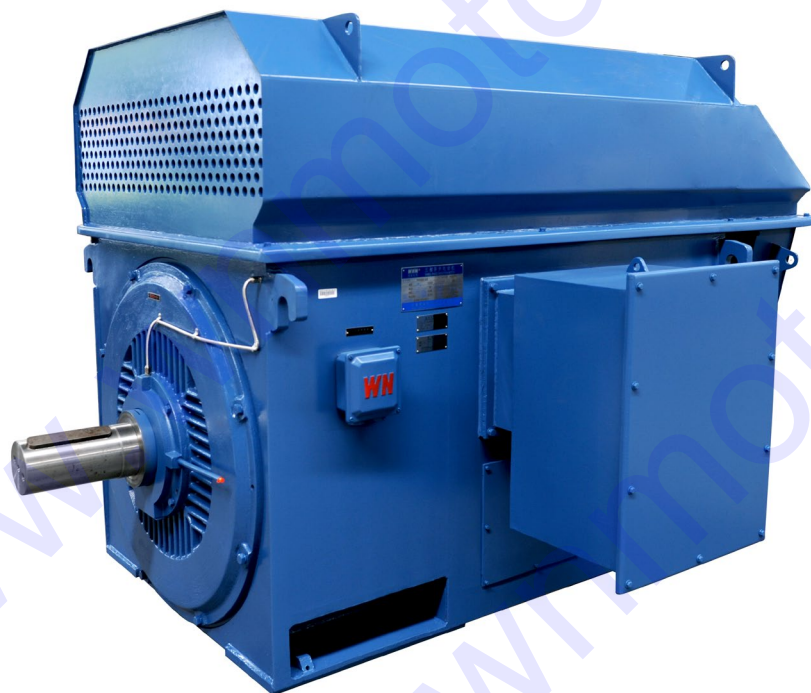


Y .YKS. YKK series

H355-630 medium size high voltage three-phase asynchronous motors



Y Series



YKK Series



YKS Series

1. General description

Y, YKS, YKK Series, medium size high voltage three-phase asynchronous motors (Frame No.355-630) mounting dimensions and tolerance are coincident with China standard GB755 《Rotating Electrical Machines-Rating and Performance》, International Electrical committee standard IEC34-1 《Rotating Electrical Machines-Rating and Performance》 and machinery-profession standards JB/T7593 JB/T10315.1 etc.

The grade of protection for outer cover is in accordance with GB4942 and IEC34-5 《Rotating electrical machines- enclosure ingress protection》 standard, there are four grades IP23, IPW24, IP44 and IP54. The IP23 grade can update to IP44(Tube Ventilation) according the customer's request. Also provide other protective grade specially.

The cooling method is according to the GB/T1993 and IEC34-6 standard 《Cooling method of Rotating Electrical Machines》. There are three kinds of cooling method IC01, IC611 and IC81W. Also we can provide other cooling method according the customer request.

The structure and mounting model is IMB3 (horizontal foot mounted) is in accordance with GB997 and IEC34-7

《Classification of types of construction and mounting arrangements for rotating electrical machines》 (IM code) standards.

2. Structure specification

The frame is made of steel plate being welded up into form of square tank shape with light weight and firm rigidity .

Stator is a outer-press-assembly structure, the stator winding is a F grade insulation, at the winding's end part being firm banded.

The whole stator has been treated with VPI technology to make stator with a robust body and good electrical and moisture resistance.

The rotor can be developed into two modes casting aluminum and copper bar mode. Casting aluminum rotor is casted with pure aluminum. Copper-bar rotor is made by copper bars wedges in the slots, then at the bar's each end to be soldered with a end-ring by reliable soldering technology. At the end of process, it must be immersed in lacquer once to strengthen the integration.

Either rolling or sleeve bearing may be adopted, the protection grade of bearing is IP54. For the rolling bearings mode, the rolling bearing must be lubricated with grease, and the motor must have oil-inlet and oil-exhaust devices, motor can also be non-stop oil injection. For the sleeve bearing mode, the oil supply system for the bearing must be prepared by customers. But the efficiency for sleeve bearing motor will be permitted a little decrease with respect of the technical data table and that is permissible in according with the relative stipulates of the standard issued by Ministry of Machine Building.

The main terminal box is designed by Germany DIN standard. The grade of protection is IP54. The terminal box for standard motor is located at the right side (Viewed from axle extension). Also can be mounted at left side according customer's requirement. The outlet hole of terminal box can face up, down, right and left four directions. There is a independent grounded device in the main terminal box.

Normally the motors axle is single extension mode, the key is a planar key mode. We also can provide double shaft extension mode according customer's requirement.

We can install temperature measurements in stator and bearings. And install inner space heaters for moisture protecting during stoppage.

3.The Implication of the symbol

By GB4831 stipulation, the motor's type is composed of product symbol and specification symbol in sequence.

The product symbol is demons treated by motor series symbols, its implication is as following:

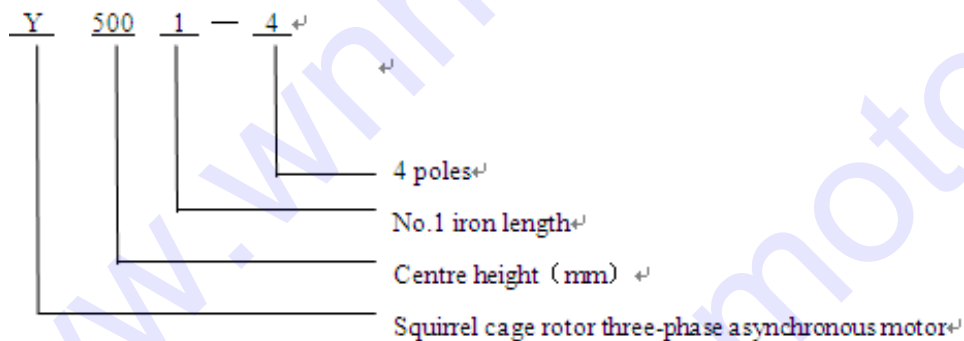
Y-----squirrel-cage rotor three-phase asynchronous motor.

YKS-----Enclosed squirrel-cage rotor three-phase asynchronous motor with air-water cooler

YKK----- Enclosed squirrel-cage rotor three-phase asynchronous motor with air-air cooler

The specification symbol is composed of centre height, iron-core length number and number of poles.

Example:



4. Details

Y series:

- Frame sizes: 355-630
- Insulation class: F
- Enclosure: IC01
- Rotor: Squirrel cage
- Voltage: 6kV, 10Kv
- Rated output: 185-3150kW
- Degree of protection: IP23 /IP44/IP54
- Mounting: Horizontal
- Bearing: Rolling bearing or sleeve bearing

Features: High efficiency, energy saving, low vibration, small size, light weight, reliable performance and easy installation and maintenance. The frame is made of steel plate being welded up into form of square tank shape with light weight and firm rigidity. Stator is an outer-press-assembly structure. The stator winding is F grade

insulation at the winding's end part being firm banded. The whole stator has been treated with VPI technology to make stator with a robust body and good electric and moisture proof. The rotor can be developed into casting aluminum rotor or copper bar rotor. The copper cage rotor guide bar and end ring are welded by intermediate frequency, and the copper guide bar diameter groove is treated with solid technology to make it have high reliability.

Applications: Ideal for driving all kinds of general machinery, such as water pump, fan, compressor, ball mill and etc.

YKK series:

- Frame sizes: 355-630
 - Insulation class: F
 - Enclosure: IC611
 - Rotor: Squirrel cage
 - Voltage: 6kV, 10kV
- Rated output: 185-2500kW
Degree of protection: IP54 /IP55
Mounting: Horizontal
Bearing: Rolling bearing or sleeve bearing

Features: This motor can be processed by the anticorrosion anti-mould-proof process to derive outdoor (W) and outdoor corrosion protection (WF) motors. High efficiency, energy saving, low vibration, small size, light weight, reliable performance and easy installation and maintenance. The frame is made of steel plate being welded up into form of square tank shape with light weight and firm rigidity. Stator is an outer-press-assembly structure. The stator winding is F grade insulation at the winding's end part being firm banded. The whole stator has been treated with VPI technology to make stator with a robust body and good electric and moisture proof. The rotor can be developed into casting aluminum rotor or copper bar rotor. The copper cage rotor guide bar and end ring are welded by intermediate frequency, and the copper guide bar diameter groove is treated with solid technology to make it have high reliability.

Applications: Ideal for driving all kinds of general machinery, such as water pump, fan, compressor, crusher and etc.

YKS series:

- Frame sizes: 355-630
 - Insulation class: F
 - Enclosure: IC81W
 - Rotor: Squirrel cage
 - Voltage: 6kV, 10kV
- Rated output: 185-31500kW
Degree of protection: IP54 /IP55
Mounting: Horizontal
Bearing: Rolling bearing or sleeve bearing

Features: High efficiency, energy saving, low vibration, small size, light weight, reliable performance and easy installation and maintenance. The frame is made of steel plate being welded up into form of square tank shape with light weight and firm rigidity. Stator is an outer-press-assembly structure. The stator winding is F grade insulation at the winding's end part being firm banded. The whole stator has been treated with VPI technology to make stator with a robust body and good electric and moisture proof. The rotor can be developed into casting aluminum rotor or copper bar rotor. The copper cage rotor guide bar and end ring are welded by intermediate frequency, and the copper guide bar diameter groove is treated with solid technology to make it have high reliability.

Applications: Ideal for driving all kinds of general machinery, such as water pump, fan, compressor, ball mill and etc.

Performance Data

Y(IP23) , YKS(IP54) series motor model composition (6kV)

Frame		Synchronous rotation speed r/min						
		3000	1500	1000	750	600	500	
		Output kW						
355	1	220	—	—	—	—	—	
	2	250						
	3	280	220					
	4	315	250					
	5	355	280	220				
	6	400	315	250				
400	1	450	355	—	—	—	—	
	2	500	400	280				
	3	560	450	315				220
	4	630	500	355				250
	5	—	560	400				280
450	1	710	630	450	315	220	—	
	2	800	710	500	355	250		
	3	900	800	560	400	280		
	4	1000	900	630	450	315		220
	5	—	—	—	—	355		250
500	1	1120	1000	710	500	400	280	
	2	1250	1120	800	560	450	315	
	3	1400	1250	900	630	500	355	
	4	1600	1400	1000	710	560	400	
	5	—	—	—	—	630	450	
560	1	1800	1600	1120	800	710	500	
	2	2000	1800	1250	900	800	560	
	3	2240	2000	1400	1000	900	630	
630	1	2500	2240	1600	1120	1000	710	
	2	2800	2500	1800	1250	1120	800	
	3	3150	2800	2000	1400	1250	900	
	4	—	—	—	1600	1400	1000	

YKK(IP44、IP54)series motor model composition (6kV)

Frame		Synchronous rotation speed r/min						
		3000	1500	1000	750	600	500	
		Output kW						
355	1	220	185	—	—	—	—	
	2	250	200					
	3	280	220					
	4	315	250					
400	1	—	—	185	—	—	—	
	2	355	280	200				
	3	400	315	220				
	4	450	355	250				185
	5	500	400	280				200
	6	—	450	315				220
450	1	—	—	—	—	185	—	
	2	560	500	355	250	200		
	3	630	560	400	280	220		
	4	710	630	450	315	250		185
	5	800	710	500	355	280		200
500	1	900	800	560	400	315	220	
	2	1000	900	630	450	355	250	
	3	1120	1000	710	500	400	280	
	4	1250	1120	800	560	450	315	
560	1	1400	1250	900	630	500	355	
	2	1600	1400	1000	710	560	400	
	3	1800	1600	1120	800	630	450	
	4	—	—	—	—	710	500	
630	1	2000	1800	1250	900	800	560	
	2	2240	2000	1400	1000	900	630	
	3	2500	2240	1600	1120	1000	710	
	4	—	—	—	1250	1120	800	

Y(IP23), YKS(IP54) series motor model composition (10kV)

Frame		Synchronous rotation speed r/min					
		3000	1500	1000	750	600	500
		Output kW					
450	1	355	355	—	—	—	—
	2	400	400				
	3	450	450	315			
	4	500	500	355			
	5	560	560	400			
	6	630	630	450			
500	1	710	710	500	315	—	
	2	800	800	560	355		
	3	900	900	630	400		280
	4	1000	1000	710	450		315
	5	1120	1120	800	500		355
	6	—	—	—	560		400
560	1	1250	1250	900	630	450	315
	2	1400	1400	1000	710	500	355
	3	1600	1600	1120	800	560	400
	4	—	—	1250	900	630	450
	5	—	—	—	—	710	500
630	1	1800	1800	1400	1000	800	560
	2	2000	2000	1600	1120	900	630
	3	2240	2240	1800	1250	1000	710
	4	—	—	—	—	1120	800

YKK(IP44、IP54)series motor model composition (10kV)

Frame		Synchronous rotation speed r/min					
		3000	1500	1000	750	600	500
		Output kW					
450	1	—	250	—	—	—	—
	2	250	280	—			
	3	280	315	220			
	4	315	355	250			
	5	355	400	280			
	6	400	450	315			
	7	450	500	355			
	8	500	560	400			
500	1	—	—	—	250	—	—
	2	560	560	400	280	—	
	3	630	630	450	315	220	
	4	710	710	500	355	250	
	5	800	800	560	400	280	
	6	900	900	630	450	315	
560	1	—	—	—	—	355	250
	2	—	—	710	500	400	280
	3	1000	1000	800	560	450	315
	4	1120	1120	900	630	500	355
	5	1250	1250	1000	710	560	400
630	1	—	—	—	—	630	450
	2	1400	1400	1120	800	710	500
	3	1600	1600	1250	900	800	560
	4	1800	1800	1400	1000	900	630

Y(IP23) , YKS(IP54) series technical data (6kV)

Type	Output kW	Stator current (A)	RPM (r/min)	Eff. (%)	P.F CosΦ	Tm		Tst		Ist In	Rotational inertia		Weight (kg)	
						Tn	Tn	Tn	Tn		Motor Jm (kg.m ²)	Load J (kg.m ²)	Y	YKS
Y3551-2	220	26.5	2990	92.8	0.86	1.8	0.6	7	2.2	16	1850	2100		
Y3552-2	250	30.1	2990	92.9	0.86	1.8	0.6	7	2.4	18	1870	2120		
Y3553-2	280	33.7	2990	93.1	0.86	1.8	0.6	7	2.6	20	1890	2140		
Y3554-2	315	37.7	2990	93.4	0.86	1.8	0.6	7	2.8	22	1920	2170		
Y3555-2	355	42.4	2990	93.7	0.86	1.8	0.6	7	3.0	24	1980	2230		
Y3556-2	400	47.6	2990	94.1	0.86	1.8	0.6	7	3.2	27	2030	2280		
Y4001-2	450	53.3	2990	94.4	0.86	1.8	0.6	7	4.8	30	2340	2620		
Y4002-2	500	58.5	2990	94.6	0.87	1.8	0.6	7	5.2	33	2420	2700		
Y4003-2	560	64.5	2990	94.7	0.87	1.8	0.6	7	5.6	36	2510	2790		
Y4004-2	630	73.4	2990	94.9	0.87	1.8	0.6	7	6.0	39	2640	2920		
Y4501-2	710	82.7	2990	95.0	0.87	1.8	0.6	7	7.4	43	3410	4060		
Y4502-2	800	92.9	2990	95.2	0.87	1.8	0.6	7	7.8	51	3460	4110		
Y4503-2	900	104.5	2990	95.3	0.87	1.8	0.6	7	8.2	55	3510	4160		
Y4504-2	1000	114.6	2990	95.4	0.88	1.8	0.6	7	8.6	57	3590	4240		
Y5001-2	1120	128.2	2990	95.5	0.88	1.8	0.6	7	10.2	58	4590	5290		
Y5002-2	1250	143.0	2990	95.6	0.88	1.8	0.6	7	10.8	67	4650	5350		
Y5003-2	1400	160.0	2990	95.7	0.88	1.8	0.6	7	11.2	73	4730	5430		
Y5004-2	1600	182.6	2990	95.8	0.88	1.8	0.6	7	11.8	80	4820	5520		
Y5601-2	1800	205.2	2990	95.9	0.88	1.8	0.6	7	20.0	100.0	7900	8650		
Y5602-2	2000	227.8	2990	96.0	0.88	1.8	0.6	7	23.0	102.0	8150	8900		
Y5603-2	2240	254.9	2990	96.1	0.88	1.8	0.6	7	26.0	104.0	8400	9150		
Y6301-2	2500	281.0	2990	96.2	0.89	1.8	0.6	7	35.0	110.0	9150	9950		
Y6302-2	2800	314.4	2990	96.3	0.89	1.8	0.6	7	40.0	115.0	9550	10350		
Y6303-2	3150	353.7	2990	96.3	0.89	1.8	0.6	7	45.0	120.0	9950	10750		
Y3553-4	220	26.7	1490	93.3	0.85	1.8	0.8	6.5	3.0	78	1720	2080		
Y3554-4	250	30.3	1490	93.4	0.85	1.8	0.8	6.5	4.0	88	1760	2120		
Y3555-4	280	33.5	1490	93.5	0.86	1.8	0.8	6.5	4.0	97	1800	2160		
Y3556-4	315	37.7	1490	93.6	0.86	1.8	0.8	6.5	4.0	108	1860	2220		
Y4001-4	355	42.3	1490	93.8	0.86	1.8	0.8	6.5	6.0	120	2280	2740		
Y4002-4	400	47.6	1490	94.0	0.86	1.8	0.8	6.5	6.0	133	2350	2810		
Y4003-4	450	53.5	1490	94.2	0.86	1.8	0.8	6.5	7.0	147	2430	2890		
Y4004-4	500	58.6	1490	94.3	0.87	1.8	0.8	6.5	7.0	161	2520	2980		
Y4005-4	560	65.5	1490	94.5	0.87	1.8	0.8	6.5	8.0	178	2610	3070		
Y4501-4	630	73.5	1490	94.8	0.87	1.8	0.8	6.5	11	197	3170	3700		
Y4502-4	710	82.7	1490	95.0	0.87	1.8	0.8	6.5	12	218	3250	3780		
Y4503-4	800	93.0	1490	95.1	0.87	1.8	0.8	6.5	13	241	3370	3900		
Y4504-4	900	104.6	1490	95.2	0.87	1.8	0.8	6.5	14	266	3590	4120		
Y5001-4	1000	116.1	1490	95.3	0.87	1.8	0.7	6.5	24	290	4150	4790		
Y5002-4	1120	128.4	1490	95.4	0.88	1.8	0.7	6.5	26	318	4300	4940		
Y5003-4	1250	143.1	1490	95.5	0.88	1.8	0.7	6.5	30	347	4600	5240		
Y5004-4	1400	160.1	1490	95.6	0.88	1.8	0.7	6.5	32	380	4770	5410		
Y5601-4	1600	180.8	1490	95.7	0.89	1.8	0.6	6.5	57	420	6350	6990		
Y5602-4	1800	203.2	1490	95.8	0.89	1.8	0.6	6.5	60	460	6580	7220		
Y5603-4	2000	225.5	1490	95.9	0.89	1.8	0.6	6.5	66	498	6750	7390		

Y(IP23) , YKS(IP54) series technical data (6kV)

Type	Output (kW)	Stator current (A)	RPM (r/min)	Eff. (%)	P.F CosΦ	$\frac{T_m}{T_n}$	$\frac{T_{st}}{T_n}$	$\frac{I_{st}}{I_n}$	Rotational inertia		Weight (kg)	
									Motor Jm (kg.m ²)	Load J (kg.m ²)	Y	YKS
Y6301-4	2240	252.3	1490	96.0	0.89	1.8	0.6	6.5	102	540	8760	9270
Y6302-4	2500	281.3	1490	96.1	0.89	1.8	0.6	6.5	112	584	9170	9680
Y6303-4	2800	314.7	1490	96.2	0.89	1.8	0.6	6.5	119	631	9390	9900
Y3555-6	220	27.8	990	93.0	0.82	1.8	0.8	6	6.0	210	1850	2210
Y3556-6	250	31.4	990	93.3	0.82	1.8	0.8	6	7.0	236	1910	2280
Y4002-6	280	34.7	990	93.5	0.83	1.8	0.8	6	10	262	2300	2750
Y4003-6	315	39.0	990	93.7	0.83	1.8	0.8	6	11	291	2360	2820
Y4004-6	355	43.8	990	93.9	0.83	1.8	0.8	6	11	324	2440	2900
Y4005-6	400	49.3	990	94.0	0.83	1.8	0.8	6	12	361	2530	2980
Y4501-6	450	54.7	990	94.1	0.84	1.8	0.8	6	15	401	3130	3660
Y4502-6	500	59.9	990	94.5	0.85	1.8	0.8	6	16	440	3210	3740
Y4503-6	560	66.9	990	94.7	0.85	1.8	0.8	6	17	487	3310	3840
Y4504-6	630	75.2	990	94.8	0.85	1.8	0.8	6	20	540	3540	4070
Y5001-6	710	84.6	990	95.0	0.85	1.8	0.7	6	32	599	4070	4710
Y5002-6	800	95.2	990	95.1	0.85	1.8	0.7	6	34	665	4210	4850
Y5003-6	900	107.0	990	95.2	0.85	1.8	0.7	6	40	736	4500	5140
Y5004-6	1000	118.8	990	95.3	0.85	1.8	0.7	6	47	805	4630	5270
Y5601-6	1120	131.4	990	95.4	0.86	1.8	0.7	6.5	70	886	6100	6740
Y5602-6	1250	146.5	990	95.5	0.86	1.8	0.7	6.5	75	972	6400	7030
Y5603-6	1400	163.9	990	95.6	0.86	1.8	0.7	6.5	82	1068	6530	7170
Y6301-6	1600	187.1	990	95.7	0.86	1.8	0.7	6.5	147	1192	8490	9000
Y6302-6	1800	210.2	990	95.8	0.86	1.8	0.7	6.5	162	1312	8930	9440
Y6303-6	2000	233.4	990	95.9	0.86	1.8	0.7	6.5	173	1428	9140	9650
Y4003-8	220	29.2	740	92.9	0.78	1.8	0.8	5.5	11	424	2430	2880
Y4004-8	250	32.7	740	93.0	0.79	1.8	0.8	5.5	12	477	2500	2950
Y4005-8	280	36.6	740	93.2	0.79	1.8	0.8	5.5	13	529	2590	3050
Y4501-8	315	40.6	740	93.4	0.80	1.8	0.8	5.5	16	588	3200	3730
Y4502-8	355	45.7	740	93.5	0.80	1.8	0.8	5.5	17	656	3280	3810
Y4503-8	400	51.3	740	93.7	0.80	1.8	0.8	5.5	18	731	3400	3940
Y4504-8	450	57.0	740	93.8	0.81	1.8	0.8	5.5	19	813	3510	4050
Y5001-8	500	63.0	740	94.3	0.81	1.8	0.8	5.5	30	894	3930	4560
Y5002-8	560	69.6	740	94.4	0.82	1.8	0.8	5.5	34	989	4170	4800
Y5003-8	630	78.2	740	94.5	0.82	1.8	0.8	5.5	38	1099	4340	4980
Y5004-8	710	88.1	740	94.6	0.82	1.8	0.8	5.5	42	1222	4600	5240
Y5601-8	800	96.8	740	94.7	0.84	1.8	0.7	6	87	1357	5910	6550
Y5602-8	900	108.8	740	94.8	0.84	1.8	0.7	6	92	1505	6100	6740
Y5603-8	1000	120.7	740	94.9	0.84	1.8	0.7	6	102	1650	6390	7030
Y6301-8	1120	135.1	740	95.0	0.84	1.8	0.7	6	137	1820	8230	8740
Y6302-8	1250	150.6	740	95.1	0.84	1.8	0.7	6	151	2001	8490	9000
Y6303-8	1400	168.5	740	95.2	0.84	1.8	0.7	6	160	2204	8820	9330
Y6304-8	1600	192.3	740	95.3	0.84	1.8	0.7	6	168	2468	9020	9530

Y(IP23) , YKS(IP54) series technical data (6kV)

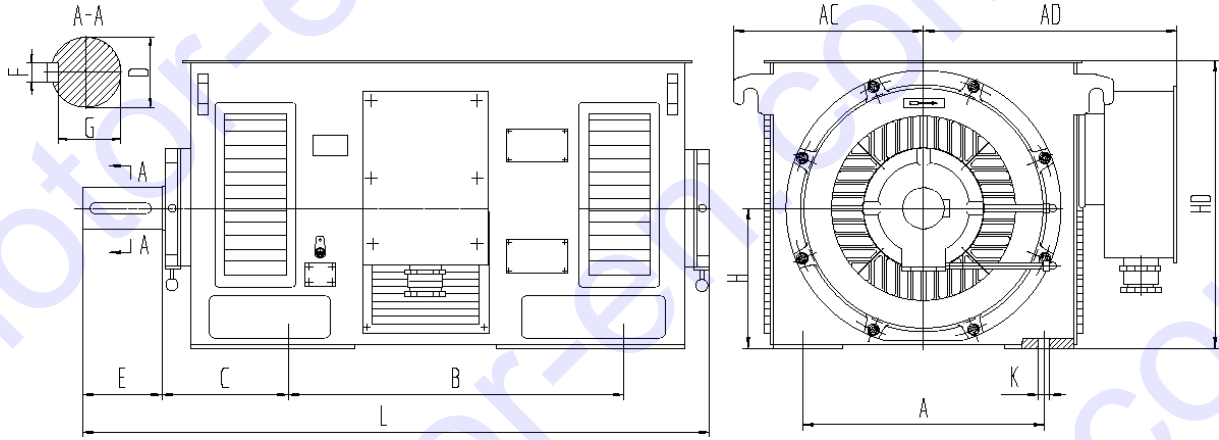
Type	Output (kW)	stator current (A)	RPM (r/min)	Eff. (%)	P.F CosΦ	$\frac{T_m}{T_n}$	$\frac{T_{st}}{T_n}$	$\frac{I_{st}}{I_n}$	Rotational inertia		Weight (Kg)	
									Motor Jm (kg.m ²)	Load J (kg.m ²)	Y	YKS
Y4501-10	220	29.9	590	92.1	0.77	1.8	0.8	5.5	19	729	3020	3550
Y4502-10	250	33.4	590	92.3	0.78	1.8	0.8	5.5	20	820	3100	3630
Y4503-10	280	37.3	590	92.5	0.78	1.8	0.8	5.5	22	910	3190	3720
Y4504-10	315	41.4	590	92.6	0.79	1.8	0.8	5.5	24	1014	3290	3830
Y4505-10	355	46.6	590	92.8	0.79	1.8	0.8	5.5	25	1131	3390	3920
Y5001-10	400	51.6	590	93.3	0.80	1.8	0.8	5.5	36	1261	3880	4510
Y5002-10	450	58.0	590	93.4	0.80	1.8	0.8	5.5	38	1404	3980	4620
Y5003-10	500	64.3	590	93.6	0.80	1.8	0.8	5.5	42	1544	4120	4760
Y5004-10	560	71.9	590	93.7	0.80	1.8	0.8	5.5	45	1711	4260	4890
Y5005-10	630	80.8	590	93.8	0.80	1.8	0.8	5.5	52	1902	4580	5220
Y5601-10	710	88.6	590	94.0	0.82	1.8	0.7	6	79	2116	5840	6580
Y5602-10	800	99.7	590	94.2	0.82	1.8	0.7	6	88	2355	6010	6750
Y5603-10	900	112.0	590	94.3	0.82	1.8	0.7	6	93	2615	6170	7810
Y6301-10	1000	124.3	590	94.4	0.82	1.8	0.7	6	140	2870	7830	8340
Y6302-10	1120	138.9	590	94.6	0.82	1.8	0.7	6	152	3170	8120	8630
Y6303-10	1250	154.7	590	94.8	0.82	1.8	0.7	6	167	3489	8430	8940
Y6304-10	1400	173.1	590	94.9	0.82	1.8	0.7	6	175	3850	8630	9140
Y4504-12	220	31.7	490	91.4	0.73	1.8	0.8	5.5	24	1135	3280	3910
Y4505-12	250	35.9	490	91.7	0.73	1.8	0.8	5.5	26	1277	3390	3920
Y5001-12	280	39.3	490	92.7	0.74	1.8	0.8	5.5	40	1418	3900	4540
Y5002-12	315	43.6	490	92.8	0.75	1.8	0.8	5.5	42	1580	3990	4630
Y5003-12	355	49.0	490	93.0	0.75	1.8	0.8	5.5	43	1764	4030	4660
Y5004-12	400	55.0	490	93.3	0.75	1.8	0.8	5.5	47	1967	4180	4820
Y5005-12	450	61.8	490	93.4	0.75	1.8	0.8	5.5	50	2191	4340	4980
Y5601-12	500	65.0	490	93.7	0.79	1.8	0.7	6	103	2411	5660	6330
Y5632-12	560	72.7	490	93.8	0.79	1.8	0.7	6	114	2673	5850	6490
Y5603-12	630	81.7	490	93.9	0.79	1.8	0.7	6	127	2974	6050	6690
Y6301-12	710	92.0	490	94.0	0.79	1.8	0.7	6	191	3312	7620	8130
Y6302-12	800	103.4	490	94.2	0.79	1.8	0.7	6	208	3688	7910	8420
Y6303-12	900	116.3	490	94.3	0.79	1.8	0.7	6	227	4098	8220	8730
Y6304-12	1000	129.0	490	94.4	0.79	1.8	0.7	6	239	4502	8410	9920

Note: These property data shown in table which in correspondence with these guaranteed values are shown in the additive table.

Dimensions

mm

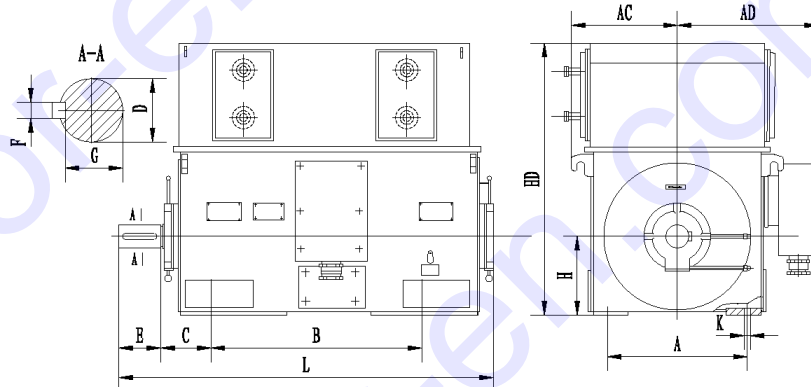
Y series (IP23) medium type asynchronous motor overall and mounting dimensions figure (6kV)



F R A M E	P O L E S	Mounting dimensions and tolerances																		Boundary dimensions			
		mm																		mm			
		A		B		C ^a		D		E		F		G		H		K		AC	AD	HD	L
		Basic Size	Limit deviation	Basic Size	Limit deviation	Basic Size	Limit deviation	Basic Size	Limit deviation	Basic Size	Limit deviation	Basic Size	Limit deviation	Basic Size	Limit deviation	Basic Size	Limit deviation	Basic Size	Limit deviation				
355	2	630	± 1.4	900	± 1.4	315	80	+0.030 +0.011	170	± 0.50	22	71	355	28	+ 0.52 0	505	760	750	1640				
	4、6																			100	210	± 0.57	28
400	2	710	± 1.75	1000	± 1.75	375	90	+0.035 +0.013	170	± 0.50	25	81	400	35	555	810	850	1850					
	4~8																		110	210	28	100	1860
450	2	800	± 1.75	1120	± 1.75	400	100	210	28	90	0 -0.2	109	450	35	595	850	950	2090					
	4																		120	32	119	2120	
6~12	130	+0.040 +0.015	250	32	0 -0.062	119	450	35	595	850	950	2120											
	500	2	900	1250	± 4.0	560	110	+0.035 +0.013	210	28	0 -0.052	100	500	42	+ 0.62 0	670	910	1050	2320				
4		130																		250	32	119	2280
6~12	140	250	36	128	0 -0.3	128	500	42	670	910	1050	2280											
	560	2	1000	1400	± 2.1	560	130	+0.040 +0.015	250	32	0 -0.062	119	560	48	800	1200	1200	2750					
4		150																	36	138	2600		
6~12	160	300	± 0.65	40	147	0 -0.3	147	560	48	800	1200	1200	2600										
	630	2	1120	1600	± 2.1	560	140	250	± 0.57	36	128	630	48	860	1250	1350	2900						
4		170																40	157	2750			
6~12	180	300	± 0.65	45	165	630	48	860	1250	1350	2750												

a For sleeve bearing motor, the limit deviation don't include the axial string momentum.

YKS series(IP54) medium type asynchronous motor overall and mounting dimensions figure (6kV)



F R A M E	P O L E	Mounting dimensions and tolerances																		Boundary dimensions			
		mm																		mm			
		A		B		C ^a		D		E		F		G		H		K		AC	AD	HD	L
		Basic Size	Limit deviation	Basic Size	Limit deviation	Basic Size	Limit deviation	Basic Size	Limit deviation	Basic Size	Limit deviation	Basic Size	Limit deviation	Basic Size	Limit deviation	Basic Size	Limit deviation	Basic Size	Limit deviation				
355	2	630	± 1.4	900	± 1.4	315		80	+0.030 +0.011	170	± 0.5 0	22		71		355	28	+ 0.52 0	505	760	1250	1640	
	4、6							100		210	± 0.5 7	28		0 - 0.052								90	1680
400	2	710		1000		375		90	+0.035 +0.013	170	± 0.5 0	25		81	400		555	810	1400	1850			
	4~8					110				28	100	1860											
450	2	800	± 1.75	1120	± 1.75	400		100		210		28	0 - 0.2	90	450	35	595	850	1500	2090			
	4					120				32		0 - 0.062		109						2120			
	6~12					130		+0.040 +0.015		250		32		119									
500	2	900		1250		560	± 4.0	110	+0.035 +0.013	210	± 0.5 0	28	0 - 0.052	100	500	0 - 1.0	600	910	1950	2320			
	4					130			32	119	500	+ 0.62 0	2280										
	6~12					140			36	128	0 - 0.3	42	2280										
560	2	1000	± 2.1	1400	± 2.1	560		130		250		32	0 - 0.062	119	560		800	1200	2150	2750			
	4					150		+0.040 +0.015		36		138		2600									
	6~12					160				300		± 0.6 5		40						147			
630	2	1120		1600		560		140		250	± 0.5 7	36	0 - 0.3	128	630	48	860	1250	2350	2900			
	4					170				40	157	2750											
	6~12					180				300	± 0.6 5	45		165									

a For sleeve bearing motor, the limit deviation don't include the axial string momentum.

YKK(IP44)、(IP54) series technical data (6kV)

Type	Output (kW)	Stator current (A)	RPM (r/min)	Eff. (%)	P.F CosΦ	Tm Tn	Tst Tn	Ist In	Rotational inertia		Weight (Kg)
									Motor Jm (kg.m ²)	Load J (kg.m ²)	
YKK3551-2	220	26.9	2990	92.5	0.85	1.8	0.6	7	2.6	20	1990
YKK3552-2	250	30.6	2990	92.6	0.85	1.8	0.6	7	2.8	22	2040
YKK3553-2	280	34.2	2990	92.8	0.85	1.8	0.6	7	3.0	24	2080
YKK3554-2	315	38.3	2990	93.1	0.85	1.8	0.6	7	3.2	27	2170
YKK4002-2	355	42.5	2990	93.4	0.86	1.8	0.6	7	4.8	30	2540
YKK4003-2	400	47.8	2990	93.7	0.86	1.8	0.6	7	5.2	33	2630
YKK4004-2	450	53.6	2990	94.0	0.86	1.8	0.6	7	5.6	36	2730
YKK4005-2	500	59.4	2990	94.2	0.86	1.8	0.6	7	6.0	39	2860
YKK4502-2	560	66.4	2990	94.4	0.86	1.8	0.6	7	7.4	43	3420
YKK4503-2	630	73.7	2990	94.6	0.87	1.8	0.6	7	7.8	51	3480
YKK4504-2	710	82.9	2990	94.7	0.87	1.8	0.6	7	8.2	55	3620
YKK4505-2	800	93.3	2990	94.8	0.87	1.8	0.6	7	8.6	57	3750
YKK5001-2	900	104.8	2990	95.0	0.87	1.8	0.6	7	10.2	58	4320
YKK5002-2	1000	116.3	2990	95.1	0.87	1.8	0.6	7	10.8	67	4440
YKK5003-2	1120	130.1	2990	95.2	0.87	1.8	0.6	7	11.2	73	4570
YKK5004-2	1250	145.1	2990	95.3	0.87	1.8	0.6	7	11.8	80	4710
YKK5601-2	1400	160.5	2990	95.4	0.88	1.8	0.6	7	20.0	100.0	5890
YKK5602-2	1600	183.2	2990	95.5	0.88	1.8	0.6	7	23.0	102.0	6100
YKK5603-2	1800	205.9	2990	95.6	0.88	1.8	0.6	7	26.0	104.0	6300
YKK6301-2	2000	228.5	2900	95.7	0.88	1.8	0.6	7	35.0	110.0	8600
YKK6302-2	2240	255.7	2990	95.8	0.88	1.8	0.6	7	40.0	115.0	9100
YKK6303-2	2500	285.1	2990	95.9	0.88	1.8	0.6	7	45.0	120.0	9450
YKK3551-4	185	22.6	1490	92.8	0.85	1.8	0.7	6.5	3	78	1880
YKK3552-4	200	24.4	1490	92.9	0.85	1.8	0.7	6.5	3	78	1910
YKK3553-4	220	26.8	1490	93.0	0.85	1.8	0.7	6.5	4	88	1950
YKK3554-4	250	30.4	1490	93.1	0.85	1.8	0.7	6.5	4	97	1990
YKK4002-4	280	33.6	1490	93.2	0.86	1.8	0.7	6.5	6	108	2430
YKK4003-4	315	37.8	1490	93.3	0.86	1.8	0.7	6.5	6	120	2490
YKK4004-4	355	42.5	1490	93.5	0.86	1.8	0.7	6.5	6	133	2560
YKK4005-4	400	47.8	1490	93.7	0.86	1.8	0.7	6.5	7	147	2680
YKK4006-4	450	53.6	1490	93.9	0.86	1.8	0.7	6.5	7	161	2770
YKK4502-4	500	59.5	1490	94.0	0.86	1.8	0.7	6.5	10	178	3370
YKK4503-4	560	66.5	1490	94.2	0.86	1.8	0.7	6.5	11	197	3450
YKK4504-4	630	74.7	1490	94.4	0.86	1.8	0.7	6.5	12	218	3570
YKK4505-4	710	84.0	1490	94.6	0.86	1.8	0.7	6.5	13	241	3690
YKK5001-4	800	93.3	1490	94.8	0.87	1.8	0.7	6.5	22	266	4380
YKK5002-4	900	104.9	1490	94.9	0.87	1.8	0.7	6.5	24	290	4520
YKK5003-4	1000	116.4	1490	95.0	0.87	1.8	0.7	6.5	26	318	4710
YKK5004-4	1120	130.3	1490	95.1	0.87	1.8	0.7	6.5	30	347	5010

YKK(IP44)、(IP54) series technical data (6kV)

Type	Output (kW)	Stator current (A)	RPM (r/min)	Eff. (%)	P.F CosΦ	$\frac{T_m}{T_n}$	$\frac{T_{st}}{T_n}$	$\frac{I_{st}}{I_n}$	Rotational inertia		Weight (kg)
									Motor Jm (kg.m ²)	Load J (kg.m ²)	
YKK5601-4	1250	143.6	1490	95.2	0.88	1.8	0.6	6.5	51	379	6570
YKK5602-4	1400	160.6	1490	95.3	0.88	1.8	0.6	6.5	57	420	6800
YKK5603-4	1600	183.4	1490	95.4	0.88	1.8	0.6	6.5	60	460	7030
YKK6301-4	1800	206.1	1490	95.5	0.88	1.8	0.6	6.5	96	498	9150
YKK6302-4	2000	228.8	1490	95.6	0.88	1.8	0.6	6.5	102	540	9550
YKK6303-4	2240	255.9	1490	95.7	0.88	1.8	0.6	6.5	112	584	9960
YKK4001-6	185	23.5	990	92.4	0.82	1.8	0.7	6	8	193	2320
YKK4002-6	200	25.3	990	92.6	0.82	1.8	0.7	6	9	210	2390
YKK4003-6	220	27.8	990	92.8	0.82	1.8	0.7	6	9	236	2430
YKK4004-6	250	31.5	990	93.0	0.82	1.8	0.7	6	10	262	2540
YKK4005-6	280	35.2	990	93.3	0.82	1.8	0.7	6	11	291	2610
YKK4006-6	315	39.5	990	93.5	0.82	1.8	0.7	6	11	324	2690
YKK4502-6	355	43.9	990	93.7	0.83	1.8	0.7	6	14	361	3320
YKK4503-6	400	49.4	990	93.8	0.83	1.8	0.7	6	15	401	3410
YKK4504-6	450	55.4	990	94.1	0.83	1.8	0.7	6	16	440	3540
YKK4505-6	500	61.5	990	94.3	0.83	1.8	0.7	6	17	487	3630
YKK5001-6	560	68.0	990	94.4	0.84	1.8	0.7	6	27	540	4280
YKK5002-6	630	76.4	990	94.5	0.84	1.8	0.7	6	32	599	4410
YKK5003-6	710	85.8	990	94.8	0.84	1.8	0.7	6	34	665	4590
YKK5004-6	800	96.6	990	94.9	0.84	1.8	0.7	6	40	736	4800
YKK5601-6	900	107.3	990	95.0	0.85	1.8	0.7	6.5	64	805	6420
YKK5602-6	1000	119.0	990	95.1	0.85	1.8	0.7	6.5	70	886	6650
YKK5603-6	1120	133.2	990	95.2	0.85	1.8	0.7	6.5	75	927	6950
YKK6301-6	1250	146.8	990	95.3	0.86	1.8	0.7	6.5	139	1068	9060
YKK6302-6	1400	164.2	990	95.4	0.86	1.8	0.7	6.5	147	1192	9280
YKK6303-6	1600	187.5	990	95.5	0.86	1.8	0.7	6.5	162	1312	9930
YKK4004-8	185	24.7	740	92.5	0.78	1.8	0.8	5.5	11	406	2640
YKK4005-8	200	26.6	740	92.7	0.78	1.8	0.8	5.5	12	450	2710
YKK4006-8	220	29.2	740	92.9	0.78	1.8	0.8	5.5	13	502	2840
YKK4502-8	250	32.7	740	93.0	0.79	1.8	0.8	5.5	16	558	3490
YKK4503-8	280	36.6	740	93.2	0.79	1.8	0.8	5.5	17	622	3610
YKK4504-8	315	41.1	740	93.4	0.79	1.8	0.8	5.5	18	693	3730
YKK4505-8	355	46.2	740	93.5	0.79	1.8	0.8	5.5	19	772	3850
YKK5001-8	400	51.3	740	93.7	0.80	1.8	0.8	5.5	30	853	4310
YKK5002-8	450	57.7	740	93.8	0.80	1.8	0.8	5.5	34	941	4600
YKK5003-8	500	63.8	740	94.2	0.80	1.8	0.8	5.5	38	1044	4750
YKK5004-8	560	71.4	740	94.4	0.80	1.8	0.8	5.5	42	1160	5020
YKK5601-8	630	78.2	740	94.5	0.82	1.8	0.7	6	79	1221	6280
YKK5602-8	710	88.1	740	94.6	0.82	1.8	0.7	6	87	1357	6460
YKK5603-8	800	99.1	740	94.7	0.82	1.8	0.7	6	92	1505	6650

YKK(IP44)、(IP54) series technical data (6kV)

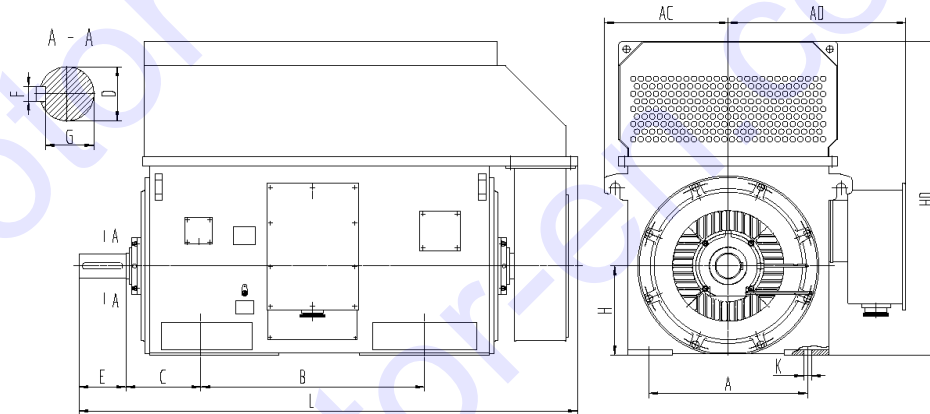
Type	Output (kW)	Stator current (A)	RPM (r/min)	Eff. (%)	P.F CosΦ	$\frac{T_m}{T_n}$	$\frac{T_{st}}{T_n}$	$\frac{I_{st}}{I_n}$	Rotational inertia		Weight (kg)
									Motor J_m (kg.m ²)	Load J_l (kg.m ²)	
YKK6301-8	900	108.8	740	94.8	0.84	1.8	0.7	6	129	1650	8750
YKK6302-8	1000	120.7	740	94.9	0.84	1.8	0.7	6	137	1820	9020
YKK6303-8	1120	135.1	740	95.0	0.84	1.8	0.7	6	151	2001	9280
YKK6304-8	1250	150.6	740	95.1	0.84	1.8	0.7	6	160	2204	9610
YKK4501-10	185	25.9	590	91.7	0.75	1.8	0.8	5.5	19	698	3300
YKK4502-10	200	27.9	590	91.9	0.75	1.8	0.8	5.5	20	775	3390
YKK4503-10	220	30.6	590	92.1	0.75	1.8	0.8	5.5	22	865	3480
YKK4504-10	250	34.8	590	92.3	0.75	1.8	0.8	5.5	24	962	3620
YKK4505-10	280	38.8	590	92.5	0.75	1.8	0.8	5.5	26	1072	3730
YKK5001-10	315	43.0	590	92.8	0.76	1.8	0.8	5.5	36	1196	4260
YKK5002-10	355	48.3	590	93.0	0.76	1.8	0.8	5.5	38	1332	4360
YKK5003-10	400	54.3	590	93.3	0.76	1.8	0.8	5.5	42	1474	4540
YKK5004-10	450	61.0	590	93.4	0.76	1.8	0.8	5.5	45	1627	4680
YKK5601-10	500	65.9	590	93.6	0.78	1.8	0.7	6	67	1710	6030
YKK5602-10	560	73.7	590	93.7	0.78	1.8	0.7	6	74	1902	6210
YKK5603-10	630	82.9	590	93.8	0.78	1.8	0.7	6	79	2116	6390
YKK5604-10	710	93.2	590	94.0	0.78	1.8	0.7	6	88	2355	6560
YKK6301-10	800	102.2	590	94.2	0.80	1.8	0.7	6	132	2615	8380
YKK6302-10	900	114.8	590	94.3	0.80	1.8	0.7	6	140	2870	8620
YKK6303-10	1000	127.4	590	94.4	0.80	1.8	0.7	6	152	3170	8910
YKK6304-10	1120	142.4	590	94.6	0.80	1.8	0.7	6	167	3489	9220
YKK4504-12	185	27.7	490	91.8	0.70	1.8	0.8	5.5	24	1087	3620
YKK4505-12	200	29.9	490	92.0	0.70	1.8	0.8	5.5	26	1206	3710
YKK5001-12	220	31.9	490	92.2	0.72	1.8	0.8	5.5	40	1347	4270
YKK5002-12	250	36.1	490	92.5	0.72	1.8	0.8	5.5	42	1499	4370
YKK5003-12	280	40.4	490	92.7	0.72	1.8	0.8	5.5	43	1672	4450
YKK5004-12	315	45.4	490	92.8	0.72	1.8	0.8	5.5	47	1865	4590
YKK5601-12	355	49.6	490	93.0	0.74	1.8	0.7	6	87	1967	5790
YKK5602-12	400	55.8	490	93.3	0.74	1.8	0.7	6	96	2180	5980
YKK5603-12	450	62.7	490	93.4	0.74	1.8	0.7	6	103	2411	6210
YKK5604-12	500	69.4	490	93.7	0.74	1.8	0.7	6	114	2673	6400
YKK6301-12	560	75.6	490	93.8	0.76	1.8	0.7	6	179	2974	8230
YKK6302-12	630	84.9	490	93.9	0.76	1.8	0.7	6	191	3312	8410
YKK6303-12	710	95.6	490	94.0	0.76	1.8	0.7	6	208	3688	8700
YKK6304-12	800	107.5	490	94.2	0.76	1.8	0.7	6	272	4098	9010

Note: These property data shown in table which in correspondence with these guaranteed values are shown in the additive table.

Dimensions

mm

YKK series (IP54) medium type asynchronous motor overall and mounting dimensions figure



F R A M E	P O L E	Mounting dimensions and tolerances mm																		Boundary dimensions mm										
		A		B		C ^a		D		E		F		G		H		K		AC	AD	HD ^b	L ^b							
		Basic	Limit	Basic	Limit	Basic	Limit	Basic	Limit	Basic	Limit	Basic	Limit	Basic	Limit	Basic	Limit	Basic	Limit											
		Size	deviation	Size	deviation	Size	deviation	Size	deviation	Size	deviation	Size	deviation	Size	deviation	Size	deviation	Size	deviation	Size	deviation									
355	2	630	± 1.4	900	± 1.4	315		80	+0.030 +0.011	170	± 0.50	22		71		355		28	+0.52 0	505	760	1350	1980							
									100															210	± 0.57	28	0 -0.052	90		2040
400	2	710		1000		375		90	+0.035 +0.013	170	± 0.50	25		81		400				555	810	1450	2300							
	4~8																						110		210		100		81	
450	2	800	± 1.75	1120	± 1.75	400		100	210				90	0 -0.2	450		35				595	850	1500	2550						
	4							120																	109		450		2550	
	6~12							130																+0.040 +0.015	250		32	0 -0.062	119	
500	2	900		1250		560	± 4.0	110	+0.035 +0.013	210	± 0.57		28	0 -0.052	100		500				600	910	1950	3150						
	4							130																119		500		3150		
	6~12							140																128	0 -0.3	500		2900		
560	2	1000	± 2.1	1400	± 2.1	560		130	+0.040 +0.015	250			32	0 -0.062	119		560				800	1200	2150	3350						
	4																							150		138		560		3350
	6~12																							160		147		560		3200
																								300	± 0.65	40		147		3200
630	2	1120		1600		560		140	250	± 0.57			36	0 -0.3	128		630				860	1250	2350	3500						
	4							170																	157		630		3500	
	6~12							180																	165		630		3400	
								300																± 0.65	45		165		3400	

a For sleeve bearing motor, the limit deviation don't include the axial string momentum.

b If the cooling method is IC616, the dimensions HD and/or L are as per the protocol.

Y, YKS series technical data (10kV)

Type	Output (kW)	Stator current (A)	RPM (r/min)	Eff. (%)	P.F. CosΦ	Tm Tn	Tst Tn	Ist In	Rotational inertia		Weight (kg)	
									Motor Jm (kg.m ²)	Load J (kg.m ²)	Y	YKS
Y4501-2	355	25.1	2990	93.8	0.87	1.8	0.6	7	6.5	34.5	3000	3480
Y4502-2	400	28.2	2990	94.1	0.87	1.8	0.6	7	7.5	35.1	3130	3610
Y4503-2	450	31.7	2990	94.3	0.87	1.8	0.6	7	8.4	37.2	3260	3740
Y4504-2	500	35.2	2990	94.4	0.87	1.8	0.6	7	9.0	41.2	3390	3870
Y4505-2	560	39.3	2990	94.5	0.87	1.8	0.6	7	9.7	45.2	3520	4000
Y4506-2	630	44.2	2990	94.6	0.87	1.8	0.6	7	10.3	50.1	3650	4130
Y5001-2	710	49.2	2990	94.7	0.88	1.8	0.6	7	13.7	68.8	4250	4830
Y5002-2	800	55.4	2990	94.8	0.88	1.8	0.6	7	14.7	75.5	4370	4950
Y5003-2	900	62.2	2990	94.9	0.88	1.8	0.6	7	16.7	78.4	4530	5110
Y5004-2	1000	69.1	2990	95.0	0.88	1.8	0.6	7	17.7	90.0	4680	5260
Y5005-2	1120	77.2	2990	95.2	0.88	1.8	0.6	7	18.7	97.0	4830	5410
Y5601-2	1250	85.0	2990	95.4	0.89	1.8	0.6	7	30.8	98.0	7850	8450
Y5602-2	1400	95.1	2990	95.5	0.89	1.8	0.6	7	34.7	99.0	8100	8700
Y5603-2	1600	108.6	2990	95.6	0.89	1.8	0.6	7	38.8	100.0	8350	8950
Y6301-2	1800	120.7	2990	95.7	0.90	1.8	0.6	7	39.0	108.0	9350	9950
Y6302-2	2000	133.9	2990	95.8	0.90	1.8	0.6	7	44.0	110.0	9750	10350
Y6303-2	2240	149.7	2990	96.0	0.90	1.8	0.6	7	51.0	114.0	10150	10750
Y4501-4	355	25.5	1490	93.3	0.86	1.8	0.7	7	12	119	2685	3165
Y4502-4	400	28.7	1490	93.5	0.86	1.8	0.7	7	12.9	132	2765	3245
Y4503-4	450	32.2	1490	93.9	0.86	1.8	0.7	7	12.9	147	2845	3325
Y4504-4	500	35.7	1490	94.0	0.86	1.8	0.7	7	13.8	161	2925	3405
Y4505-4	560	39.9	1490	94.2	0.86	1.8	0.7	7	13.8	178	3005	3485
Y4506-4	630	44.8	1490	94.4	0.86	1.8	0.7	7	14.7	196	3085	3565
Y5001-4	710	49.6	1490	95.0	0.87	1.8	0.7	7	22	217	3950	4530
Y5002-4	800	55.8	1490	95.1	0.87	1.8	0.7	7	23	240	4100	4680
Y5003-4	900	62.2	1490	95.2	0.88	1.8	0.7	7	25	265	4250	4830
Y5004-4	1000	68.8	1490	95.3	0.88	1.8	0.7	7	27	289	4400	4980
Y5005-4	1120	77.0	1490	95.4	0.88	1.8	0.7	7	29	317	4550	5130
Y5601-4	1250	84.9	1490	95.5	0.89	1.8	0.7	7	40	347	8270	9070
Y5602-4	1400	94.9	1490	95.7	0.89	1.8	0.7	7	43	379	8490	9290
Y5603-4	1600	108.3	1490	95.8	0.89	1.8	0.7	7	46	421	8710	9510
Y6301-4	1800	121.8	1490	95.9	0.89	1.8	0.6	7	86	460	8580	9165
Y6302-4	2000	135.2	1490	96.0	0.89	1.8	0.6	7	91	498	8930	9515
Y6303-4	2240	151.2	1490	96.1	0.89	1.8	0.6	7	96	540	9280	9865
Y4503-6	315	23.9	990	92.8	0.82	1.8	0.7	6	14.7	291	2960	3440
Y4504-6	355	26.5	990	93.1	0.83	1.8	0.7	6	15.7	324	3040	3520
Y4505-6	400	29.8	990	93.3	0.83	1.8	0.7	6	17.1	361	3120	3600
Y4506-6	450	33.5	990	93.5	0.83	1.8	0.7	6	18.2	400	3200	3680
Y5001-6	500	37.0	990	93.9	0.83	1.8	0.7	6	23	440	3930	4510
Y5002-6	560	40.9	990	94.1	0.84	1.8	0.7	6	25	486	4070	4650
Y5003-6	630	45.9	990	94.4	0.84	1.8	0.7	6	27	539	4230	4810
Y5004-6	710	51.6	990	94.6	0.84	1.8	0.7	6	29	599	4420	5000
Y5005-6	800	58.1	990	94.7	0.84	1.8	0.7	6	31	664	4610	5190

Y ,YKS series technical data (10kV)

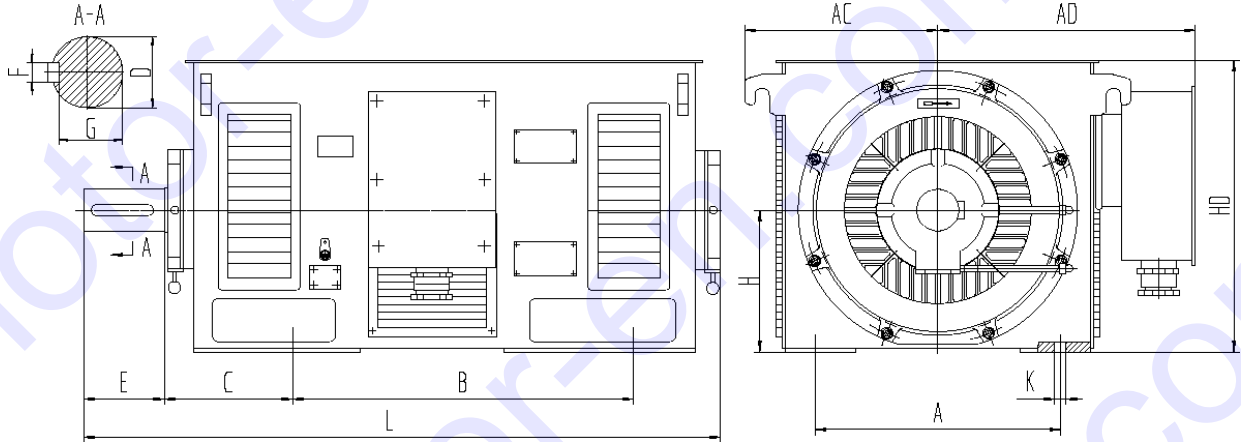
Type	Output (kW)	Stator current (A)	RPM (r/min)	Eff. (%)	P.F CosΦ	Tm Tn	Tst Tn	Ist In	Rotational inertia		Weight (kg)	
									Motor Jm (kg.m ²)	Load J (kg.m ²)	Y	YKS
Y5601-6	900	64.4	990	94.9	0.85	1.8	0.7	6	49	735	5150	5950
Y5602-6	1000	71.4	990	95.1	0.85	1.8	0.7	6	53	805	5320	6120
Y5603-6	1120	79.8	990	95.3	0.85	1.8	0.7	6	56	886	5490	6290
Y5604-6	1250	88.0	990	95.4	0.86	1.8	0.7	6	60	972	5660	6460
Y6301-6	1400	98.2	990	95.7	0.86	1.8	0.6	6	114	1068	7825	8410
Y6302-6	1600	112.1	990	95.8	0.86	1.8	0.6	6	121	1192	8055	8640
Y6303-6	1800	126.0	990	95.9	0.86	1.8	0.6	6	128	1312	8285	8870
Y5001-8	315	25.5	740	92.8	0.77	1.8	0.7	6	22	588	3500	4010
Y5002-8	355	28.6	740	93.1	0.77	1.8	0.7	6	24	656	3550	4060
Y5003-8	400	31.8	740	93.2	0.78	1.8	0.7	6	26	730	3670	4180
Y5004-8	450	35.7	740	93.4	0.78	1.8	0.7	6	28	812	3820	4330
Y5005-8	500	39.0	740	93.8	0.79	1.8	0.7	6	30	893	3960	4470
Y5006-8	560	43.6	740	93.9	0.79	1.8	0.7	6	32	989	4100	4610
Y5601-8	630	47.0	740	94.4	0.82	1.8	0.7	6	56	1098	5140	5940
Y5602-8	710	52.8	740	94.6	0.82	1.8	0.7	6	60	1221	5310	6110
Y5603-8	800	59.5	740	94.7	0.82	1.8	0.7	6	63	1357	5480	6280
Y5604-8	900	66.8	740	94.8	0.82	1.8	0.7	6	67	1505	5650	6450
Y6301-8	1000	73.2	740	95.0	0.83	1.8	0.7	6	141	1650	8115	8700
Y6302-8	1120	81.8	740	95.2	0.83	1.8	0.7	6	149	1820	8235	8820
Y6303-8	1250	91.2	740	95.3	0.83	1.8	0.7	6	157	2001	8355	8940
Y5003-10	280	23.6	590	92.4	0.74	1.8	0.7	5.5	28	910	4100	4610
Y5004-10	315	26.5	590	92.6	0.74	1.8	0.7	5.5	30	1014	4160	4670
Y5005-10	355	29.4	590	92.8	0.75	1.8	0.7	5.5	32	1131	4230	4740
Y5006-10	400	33.1	590	93.0	0.75	1.8	0.7	5.5	34	1261	4380	4890
Y5601-10	450	36.2	590	93.2	0.77	1.8	0.7	6	75	1403	5050	5850
Y5602-10	500	40.1	590	93.4	0.77	1.8	0.7	6	80	1544	5310	6110
Y5603-10	560	44.3	590	93.5	0.78	1.8	0.7	6	84	1710	5460	6260
Y5604-10	630	49.8	590	93.7	0.78	1.8	0.7	6	89	1902	5600	6400
Y5605-10	710	56.0	590	93.9	0.78	1.8	0.7	6	94	2117	5750	6550
Y6301-10	800	61.2	590	94.3	0.80	1.8	0.7	6	144	2355	7935	8520
Y6302-10	900	68.7	590	94.5	0.80	1.8	0.7	6	153	2614	8165	8750
Y6303-10	1000	76.3	590	94.6	0.80	1.8	0.7	6	161	2870	8365	8950
Y6304-10	1120	85.4	590	94.7	0.80	1.8	0.7	6	169	3170	8565	9150
Y5601-12	315	27.0	490	92.3	0.73	1.8	0.7	6	73	1580	5050	5820
Y5602-12	355	30.4	490	92.5	0.73	1.8	0.7	6	77	1763	5170	5970
Y5603-12	400	34.1	490	92.7	0.73	1.8	0.7	6	82	1967	5310	6110
Y5604-12	450	38.3	490	92.9	0.73	1.8	0.7	6	87	2190	5450	6250
Y5605-12	500	42.4	490	93.2	0.73	1.8	0.7	6	92	2411	5590	6390
Y6301-12	560	46.7	490	93.5	0.74	1.8	0.7	6	119	2672	8120	8705
Y6302-12	630	52.5	490	93.7	0.74	1.8	0.7	6	136	2974	8320	8905
Y6303-12	710	59.0	490	93.9	0.74	1.8	0.7	6	152	3313	8520	9105
Y6304-12	800	66.2	490	94.3	0.74	1.8	0.7	6	160	3688	8720	9305

Note: These property data shown in table which in correspondence with these guaranteed values are shown in the additive table.

Dimensions

mm

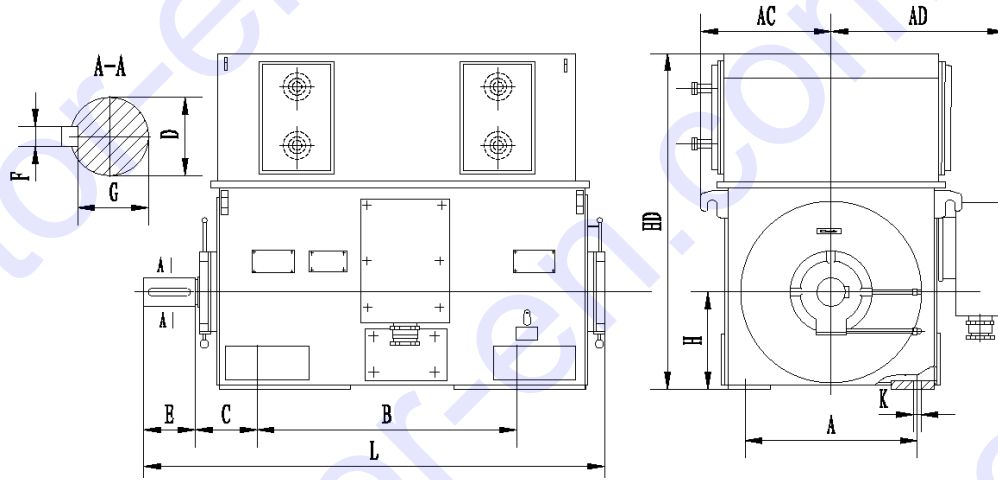
Y series medium sized motor overall and mounting dimension figure (10kV)



FRAME	POLE	Mounting dimensions and tolerances																Boundary dimensions											
		mm																mm											
		A		B		C		D		E		F		G		H		K		AC	AD	HD	L						
Basic Size	Limit deviation	Basic Size	Limit deviation	Basic Size	Limit deviation	Basic Size	Limit deviation	Basic Size	Limit deviation	Basic Size	Limit deviation	Basic Size	Limit deviation	Basic Size	Limit deviation	Basic Size	Limit deviation	Basic Size	Limit deviation	Basic Size	Limit deviation								
450	2	800	± 1.7 5	112 0	± 1.7 5	400	90	170	± 0.5 0	25	0 -0.052	81	450	35	59	105	950	209	0	208	0								
	4					355																110	+0.035 +0.013	28	0 -0.052	100	208		
	6					210																28	0 -0.052	100	208				
500	2	900	125 0	560	100	210	± 0.5 7	32	119	42	+0.62 0	232	0	66	1110	105	228	0	228	0									
	4																				475	120	± 0.5 7	109	500	66	1110	105	228
	6~1 0																				± 4. 0	130	250	32	119	42	232		
560	2	100	± 2.1 0	140 0	± 2.1 0	560	150	36	0 -0.062	138	560	80	120	120	275	0	260	0	260	0									
	4					500															160	± 0.6 5	40	147	260				
	6~1 2					+0.040 +0.015															300	± 0.6 5	40	147	260				
630	2	112	160 0	560	140	250	± 0.5 7	36	128	0 -0.3	157	630	48	86	125	135	290	0	275	0									
	4																				530	170	± 0.6 5	45	165	275			
	6~1 2																				300	± 0.6 5	45	165	275				

a For sleeve bearing motor, the limit deviation don't include the axial string momentum.

YKS series medium sized motor overall and mounting dimension figure



FRAME	POLE	Mounting dimensions and tolerances																Boundary dimensions											
		mm																mm											
		A		B		C		D		E		F		G		H		K		AC	AD	HD	L						
Basic Size	Limit deviation	Basic Size	Limit deviation	Basic Size	Limit deviation	Basic Size	Limit deviation	Basic Size	Limit deviation	Basic Size	Limit deviation	Basic Size	Limit deviation	Basic Size	Limit deviation	Basic Size	Limit deviation	Basic Size	Limit deviation	Basic Size	Limit deviation								
450	2	800	± 1.7 5	112 0	± 1.7 5	400	90	170	± 0.5 0	25	0 -0.052	81	450	35	59	105	167	209	0	0	0	0							
	4					355																	110	+0.035 +0.013	28	0 -0.052	100	208	
	6					210																	28	0 -0.2	90	232			
500	2	900	125 0	560	100	210	± 0.5 7	109	500	66	1110	195	228	0	0	0	0	0	0	0	0	0							
	4																						475	120	32	119	228		
	6~10																						± 4. 0	130	250	32	119	42	+0.62 0
560	2	1000	± 2.1 0	140 0	± 2.1 0	560	150	36	0 -0.062	138	560	80	120	215	260	0	0	0	0	0	0	0							
	4					500																	160	+0.040 +0.015	300	± 0.6 5	40	147	260
	6~12					300																	± 0.6 5	40	147	260			
630	2	1120	160 0	560	140	250	± 0.5 7	36	128	0 -0.3	157	630	48	86	125	235	275	0	0	0	0	0							
	4																						530	170	± 0.6 5	45	165	275	
	6~12																						300	± 0.6 5	45	165	275		

a For sleeve bearing motor, the limit deviation don't include the axial string momentum.

YKK series technical data (10kV)

(Type)	Output (kW)	Stator current (A)	RPM (r/min)	Eff. (%)	P.F CosΦ	Tm Tn	Tst Tn	Ist In	Rotational inertia		Weight (kg)
									Motor Jm (kg.m ²)	Load J (kg.m ²)	
YKK4502-2	250	17.5	2990	92.6	0.89	1.8	0.6	7	5.6	30.0	3740
YKK4503-2	280	19.6	2990	92.8	0.89	1.8	0.6	7	6.1	31.1	3800
YKK4504-2	315	21.9	2990	93.1	0.89	1.8	0.6	7	6.6	31.8	3880
YKK4505-2	355	24.7	2990	93.3	0.89	1.8	0.6	7	7.2	32.5	3945
YKK4506-2	400	27.8	2990	93.4	0.89	1.8	0.6	7	8.2	34.3	4090
YKK4507-2	450	31.2	2990	93.5	0.89	1.8	0.6	7	8.7	35.2	4185
YKK4508-2	500	34.7	2990	93.6	0.89	1.8	0.6	7	9.3	37.2	4250
YKK5002-2	560	38.3	2990	93.7	0.90	1.8	0.6	7	14.7	55.4	4380
YKK5003-2	630	43.1	2990	93.8	0.90	1.8	0.6	7	15.7	59.1	4575
YKK5004-2	710	48.5	2990	93.9	0.90	1.8	0.6	7	17.7	63.2	4700
YKK5005-2	800	54.6	2990	94.0	0.90	1.8	0.6	7	18.7	68.8	4780
YKK5006-2	900	61.3	2990	94.2	0.90	1.8	0.6	7	19.7	75.5	4850
YKK5603-2	1000	67.2	2990	94.4	0.91	1.8	0.6	7	31.8	78.4	8250
YKK5604-2	1120	75.2	2990	94.5	0.91	1.8	0.6	7	35.7	90.0	8500
YKK5605-2	1250	83.8	2990	94.6	0.91	1.8	0.6	7	39.8	97.0	8750
YKK6302-2	1400	92.8	2990	94.7	0.92	1.8	0.6	7	42.7	98.0	9500
YKK6303-2	1600	105.9	2990	94.8	0.92	1.8	0.6	7	46.0	99.0	9700
YKK6304-2	1800	118.9	2990	95.0	0.92	1.8	0.6	7	53.0	100.0	10500
YKK4501-4	250	17.8	1490	92.1	0.88	1.8	0.7	7	11.4	78.0	3700
YKK4502-4	280	19.9	1490	92.3	0.88	1.8	0.7	7	12.6	87.0	3760
YKK4503-4	315	22.3	1490	92.5	0.88	1.8	0.7	7	13.1	97.0	3860
YKK4504-4	355	25.1	1490	92.9	0.88	1.8	0.7	7	13.5	107	3890
YKK4505-4	400	28.2	1490	93.0	0.88	1.8	0.7	7	14.0	119	4200
YKK4506-4	450	31.7	1490	93.2	0.88	1.8	0.7	7	14.4	132	4300
YKK4507-4	500	35.1	1490	93.4	0.88	1.8	0.7	7	15.3	147	4490
YKK4508-4	560	38.6	1490	94.0	0.89	1.8	0.7	7	16.0	165	4600
YKK5002-4	560	38.6	1490	94.0	0.89	1.8	0.7	7	25.0	165	5660
YKK5003-4	630	43.4	1490	94.1	0.89	1.8	0.7	7	26.0	182	5850
YKK5004-4	710	48.9	1490	94.2	0.89	1.8	0.7	7	28.0	201	6030
YKK5005-4	800	55.0	1490	94.3	0.89	1.8	0.7	7	30.0	220	6060
YKK5006-4	900	61.8	1490	94.4	0.89	1.8	0.7	7	32.0	242	6160
YKK5603-4	1000	67.9	1490	94.5	0.9	1.8	0.7	7	44.0	270	7800
YKK5604-4	1120	75.9	1490	94.7	0.9	1.8	0.7	7	47.0	292	8050
YKK5605-4	1250	84.6	1490	94.8	0.9	1.8	0.7	7	50.0	320	8300
YKK6302-4	1400	94.6	1490	94.9	0.9	1.8	0.6	7	90.0	350	9900
YKK6303-4	1600	108.0	1490	95.0	0.9	1.8	0.6	7	95.0	382	10300
YKK6304-4	1800	121.4	1490	95.1	0.9	1.8	0.6	7	101.0	423	10400
YKK4503-6	220	16.5	990	91.8	0.84	1.8	0.7	6	15.5	210	3950
YKK4504-6	250	18.7	990	92.0	0.84	1.8	0.7	6	16.3	235	4090
YKK4505-6	280	20.9	990	92.2	0.84	1.8	0.7	6	17.4	260	4210
YKK4506-6	315	23.5	990	92.3	0.84	1.8	0.7	6	18.4	290	4420
YKK4507-6	355	26.4	990	92.5	0.84	1.8	0.7	6	19.5	320	4560
YKK4508-6	400	29.6	990	92.9	0.84	1.8	0.7	6	22.0	350	4760
YKK5002-6	400	29.6	990	92.9	0.84	1.8	0.7	6	27.0	362	5360
YKK5003-6	450	32.8	990	93.1	0.85	1.8	0.7	6	29.0	400	5440
YKK5004-6	500	36.4	990	93.4	0.85	1.8	0.7	6	31.0	446	5700
YKK5005-6	560	40.6	990	93.6	0.85	1.8	0.7	6	33.0	485	5880
YKK5006-6	630	45.6	990	93.9	0.85	1.8	0.7	6	35.0	525	6110

YKK series technical data (10kV)

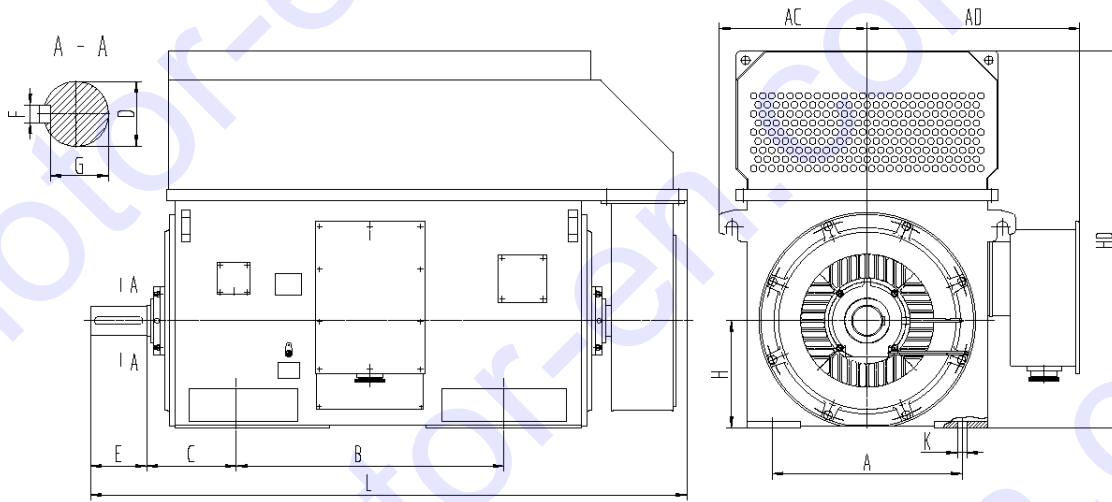
Type	Output (kW)	Stator current (A)	RPM (r/min)	Eff. (%)	P.F CosΦ	$\frac{T_m}{T_n}$	$\frac{T_{st}}{T_n}$	$\frac{I_{st}}{I_n}$	Rotational inertia		Weight (kg)
									Motor Jm (kg.m ²)	Load J (kg.m ²)	
YKK5602-6	710	50.7	990	94.0	0.86	1.8	0.7	6	50.0	540	7500
YKK5603-6	800	57.0	990	94.2	0.86	1.8	0.7	6	60.0	599	7850
YKK5604-6	900	64.1	990	94.3	0.86	1.8	0.7	6	63.0	665	8100
YKK5605-6	1000	71.1	990	94.4	0.86	1.8	0.7	6	67.0	736	8300
YKK6302-6	1120	79.4	990	94.7	0.86	1.8	0.6	6	121.0	805	10750
YKK6303-6	1250	88.5	990	94.8	0.86	1.8	0.6	6	128.0	886	11150
YKK6304-6	1400	99.0	990	94.9	0.86	1.8	0.6	6	135.0	970	11500
YKK5001-8	250	18.9	740	91.8	0.83	1.8	0.7	6	28.0	423	5280
YKK5002-8	280	21.1	740	92.2	0.83	1.8	0.7	6	30.0	476	5340
YKK5003-8	315	23.7	740	92.3	0.83	1.8	0.7	6	32.0	530	5660
YKK5004-8	355	26.7	740	92.6	0.83	1.8	0.7	6	34.0	588	5700
YKK5005-8	400	30.0	740	92.8	0.83	1.8	0.7	6	36.0	656	5760
YKK5006-8	450	33.6	740	93.1	0.83	1.8	0.7	6	38.0	730	5820
YKK5602-8	500	37.2	740	93.4	0.83	1.8	0.7	6	63.0	810	7850
YKK5603-8	560	41.6	740	93.6	0.83	1.8	0.7	6	67.0	890	8100
YKK5604-8	630	46.8	740	93.7	0.83	1.8	0.7	6	70.0	988	8300
YKK5605-8	710	52.7	740	93.8	0.83	1.8	0.7	6	74.0	1098	8500
YKK6302-8	800	59.2	740	94.0	0.83	1.8	0.7	6	145.0	1221	10400
YKK6303-8	900	66.5	740	94.2	0.83	1.8	0.7	6	151.0	1357	10800
YKK6304-8	1000	73.8	740	94.3	0.83	1.8	0.7	6	166.0	1505	11200
YKK5003-10	220	18.8	590	91.5	0.74	1.8	0.7	5.5	38.0	698	5580
YKK5004-10	250	21.3	590	91.7	0.74	1.8	0.7	5.5	39.3	775	5760
YKK5005-10	280	23.8	590	91.9	0.74	1.8	0.7	5.5	40.0	865	5930
YKK5006-10	315	26.6	590	92.3	0.74	1.8	0.7	5.5	42.0	965	6120
YKK5601-10	355	27.0	590	92.5	0.82	1.8	0.7	6	78.0	1015	7350
YKK5602-10	400	30.4	590	92.7	0.82	1.8	0.7	6	83.0	1131	7500
YKK5603-10	450	34.1	590	92.8	0.82	1.8	0.7	6	87.0	1261	7850
YKK5604-10	500	37.9	590	92.9	0.82	1.8	0.7	6	92.0	1403	8100
YKK5605-10	560	42.4	590	93.0	0.82	1.8	0.7	6	97.0	1545	8300
YKK6301-10	630	47.5	590	93.3	0.82	1.8	0.7	6	153.0	1710	10600
YKK6302-10	710	53.5	590	93.5	0.82	1.8	0.7	6	162.0	1902	11000
YKK6303-10	800	60.2	590	93.6	0.82	1.8	0.7	6	169.0	2116	11400
YKK6304-10	900	67.6	590	93.7	0.82	1.8	0.7	6	178.0	2355	11800
YKK5601-12	250	20.7	490	91.7	0.76	1.8	0.7	6	88.0	1135	7350
YKK5602-12	280	23.2	490	91.8	0.76	1.8	0.7	6	97.0	1210	7500
YKK5603-12	315	26.0	490	91.9	0.76	1.8	0.7	6	100.0	1418	7850
YKK5604-12	355	29.3	490	92.0	0.76	1.8	0.7	6	108.0	1580	8100
YKK5605-12	400	33.0	490	92.2	0.76	1.8	0.7	6	115.0	1763	8300
YKK6301-12	450	37.0	490	92.5	0.76	1.8	0.7	6	139.0	1967	10600
YKK6302-12	500	41.0	490	92.7	0.76	1.8	0.7	6	156.0	2190	11000
YKK6303-12	560	45.8	490	92.9	0.76	1.8	0.7	6	172.0	2411	11400
YKK6304-12	630	51.3	490	93.3	0.76	1.8	0.7	6	180.0	2672	11800

Note: These property data shown in table which in correspondence with these guaranteed values are shown in the additive table.

Dimensions

mm

YKK series (IP54) medium type asynchronous motor overall and mounting dimensions figure 10V



FRAME	POLE	Mounting dimensions and tolerances																Boundary dimensions					
		mm																mm					
		A		B		C ^a		D		E		F		G		H		K		AC	AD	HD ^b	L ^b
Basic Size	Limit deviation	Basic Size	Limit deviation	Basic Size	Limit deviation	Basic Size	Limit deviation	Basic Size	Limit deviation	Basic Size	Limit deviation	Basic Size	Limit deviation	Basic Size	Limit deviation	Basic Size	Limit deviation						
450	2			400		90		170		25		81									2550		
	4	800	± 1.75	1120	± 1.75				± 0.50							450		35		595	1050	1670	2540
	6~12			355		110	+0.035 +0.013	210		28		100											
500	2			560		100						90	-0.2									3150	
	4	900		1250		120			± 0.57			109		500						660	1110	1950	2900
	6~12			475						32		119											
560	2			560	± 4.0	130		250				119										3350	
	4	1000	± 2.1	1400	± 2.1	150				36		138		560						800	1200	2150	3200
	6~12			500		160	+0.040 +0.015	300	± 0.65	40	-0.062	147											
630	2			560		140		250	± 0.57	36		128	-0.3									3550	
	4	1120		1600		170				40		157		630		48				860	1250	2350	3400
	6~12			530		180		300	± 0.65	45		165											

a For sleeve bearing motor, the limit deviation don't include the axial string momentum.

b If the cooling method is IC616, the dimensions HD and/or L are as per the protocol.