

YE3-H Series Super- High Efficiency Three Phase Marine Induction Motors

➤ General Description



- Frame sizes: 80 to 355
- Voltage: 220~690V
- Poles: 2, 4, 6, 8,10
- Duty Cycle: S1
- Insulation class: F/H
- Rated output: 0.37 to 375kW
- Frequency: 50Hz or 60Hz
- Efficiency levels: IE3
- Enclosure: IC411 - TEFC
- Degree of protection: IP55 / IP56

Applications: Can be applied in the marine machines where continuous duty is required.

Features: Beautiful profile, high efficiency and energy saving (Level 3 of GB18613-2020), class F or H insulation, IP55 protection grade, low noise, little vibration, reliable running, CCS approved.

➤ Performance Data

Model	Output kW	FLA	RPM	Eff.%	Power Factor	FLT N.m	380V		50Hz		dB(A)
							LRT/FLT Tst/T _N	LRA/FLA Ist/I _N	BDT/FLT Tmax/T _N		
Synchronous speed 3000 r/min											
YE3-H-80M1-2	0.75	1.7	2870	80.7	0.82	2.50	2.2	7.0	2.3	62	
YE3-H-80M2-2	1.1	2.4	2875	82.7	0.83	3.65	2.2	7.3	2.3	62	
YE3-H-90S-2	1.5	3.2	2880	84.2	0.84	4.97	2.2	7.6	2.3	67	
YE3-H-90L-2	2.2	4.6	2880	85.9	0.85	7.30	2.2	7.6	2.3	67	
YE3-H-100L-2	3	6.0	2880	87.1	0.87	9.95	2.2	7.8	2.3	74	
YE3-H-112M-2	4	7.8	2915	88.1	0.88	13.1	2.2	8.3	2.3	77	
YE3-H-132S1-2	5.5	10.6	2935	89.2	0.88	17.9	2.0	8.3	2.3	79	
YE3-H-132S2-2	7.5	14.4	2930	90.1	0.88	24.4	2.0	7.9	2.3	79	
YE3-H-160M1-2	11	20.6	2950	91.2	0.89	35.6	2.0	8.1	2.3	81	
YE3-H-160M2-2	15	27.9	2945	91.9	0.89	48.6	2.0	8.1	2.3	81	
YE3-H-160L-2	18.5	34.2	2945	92.4	0.89	60.0	2.0	8.2	2.3	81	
YE3-H-180M-2	22	40.5	2950	92.7	0.89	71.2	2.0	8.2	2.3	83	
YE3-H-200L1-2	30	54.9	2965	93.3	0.89	96.6	2.0	7.6	2.3	84	
YE3-H-200L2-2	37	67.4	2965	93.7	0.89	119	2.0	7.6	2.3	84	
YE3-H-225M-2	45	80.8	2965	94.0	0.90	145	2.0	7.7	2.3	86	
YE3-H-250M-2	55	98.5	2975	94.3	0.90	177	2.0	7.7	2.3	89	
YE3-H-280S-2	75	134	2975	94.7	0.90	241	1.8	7.1	2.3	91	
YE3-H-280M-2	90	160	2975	95.0	0.90	289	1.8	7.1	2.3	91	
YE3-H-280M1-2	110	195	2975	95.2	0.90	353	1.8	7.1	2.3	91	
YE3-H-315S-2	110	195	2985	95.2	0.90	352	1.8	7.1	2.3	92	
YE3-H-315L1-2	160	279	2985	95.6	0.91	512	1.8	7.2	2.3	92	
YE3-H-315L-2	185	323	2985	95.7	0.91	592	1.8	7.2	2.3	92	
YE3-H-315M-2	132	234	2985	95.4	0.90	422	1.8	7.1	2.3	92	

Performance Data

380V 50Hz

Model	Output kW	FLA	RPM	Eff.%	Power Factor	FLT N.m	$\frac{LRT}{FLT} \frac{Tst}{T_N}$	$\frac{LRA}{FLA} \frac{Ist}{I_N}$	$\frac{BDT}{FLT} \frac{Tmax}{T_N}$	dB(A)
Synchronous speed 3000 r/min										
YE3-H-315L2-2	200	349	2985	95.8	0.91	640	1.8	7.2	2.2	92
YE3-H-315L3-2	220	383	2985	95.8	0.91	704	1.8	7.2	2.2	92
YE3-H-355M1-2	220	383	2985	95.8	0.91	704	1.8	7.2	2.2	100
YE3-H-355M-2	250	436	2985	95.8	0.91	800	1.6	7.2	2.2	100
YE3-H-355L1-2	280	488	2985	95.8	0.91	896	1.6	7.2	2.2	100
YE3-H-355L-2	315	549	2985	95.8	0.91	1008	1.6	7.2	2.2	100
YE3-H-355 1-2	355	619	2985	95.8	0.91	1136	1.6	7.2	2.2	104
YE3-H-355 2-2	375	654	2985	95.8	0.91	1200	1.6	7.2	2.2	104
Synchronous speed 1500 r/min										
YE3-H-80M1-4	0.55	1.4	1430	80.6	0.75	3.67	2.3	6.5	2.3	56
YE3-H-80M2-4	0.75	1.8	1430	82.5	0.75	5.01	2.3	6.6	2.3	56
YE3-H-90S-4	1.1	2.6	1430	84.1	0.76	7.35	2.3	6.8	2.3	59
YE3-H-90L-4	1.5	3.5	1430	85.3	0.77	10.0	2.3	7.0	2.3	59
YE3-H-100L1-4	2.2	4.8	1440	86.7	0.81	14.6	2.3	7.6	2.3	64
YE3-H-100L2-4	3	6.3	1440	87.7	0.82	19.9	2.3	7.6	2.3	64
YE3-H-112M-4	4	8.4	1455	88.6	0.82	26.3	2.2	7.8	2.3	65
YE3-H-132S-4	5.5	11.2	1465	89.6	0.83	35.9	2.0	7.9	2.3	71
YE3-H-132M-4	7.5	15.0	1465	90.4	0.84	48.9	2.0	7.5	2.3	71
YE3-H-160M-4	11	21.5	1470	91.4	0.85	71.5	2.0	7.7	2.3	73
YE3-H-160L-4	15	28.8	1470	92.1	0.86	97.4	2.0	7.8	2.3	73
YE3-H-180M-4	18.5	35.3	1470	92.6	0.86	120	2.0	7.8	2.3	76
YE3-H-180L-4	22	41.8	1470	93.0	0.86	143	2.0	7.8	2.3	76
YE3-H-200L-4	30	56.6	1475	93.6	0.86	194	2.0	7.3	2.3	76
YE3-H-225S-4	37	69.6	1480	93.9	0.86	239	2.0	7.4	2.3	78
YE3-H-225M-4	45	84.4	1480	94.2	0.86	290	2.0	7.4	2.3	78
YE3-H-250M-4	55	103	1485	94.6	0.86	354	2.0	7.4	2.3	79
YE3-H-280S-4	75	136	1490	95.0	0.88	481	2.0	6.7	2.3	80
YE3-H-280M-4	90	163	1490	95.2	0.88	577	2.0	6.9	2.3	80
YE3-H-280M1-4	110	197	1490	95.4	0.89	705	2.0	7.0	2.2	80
YE3-H-315S-4	110	197	1490	95.4	0.89	705	2.0	7.0	2.2	88
YE3-H-315M-4	132	236	1490	95.6	0.89	846	2.0	7.0	2.2	88
YE3-H-315L1-4	160	285	1490	95.8	0.89	1026	2.0	7.1	2.2	88
YE3-H-315L-4	185	329	1490	95.9	0.89	1186	2.0	7.1	2.2	88

Performance Data

380V 50Hz

Model	Output kW	FLA	RPM	Eff. %	Power Factor	FLT N.m	$\frac{LRT}{FLT}$ $\frac{Tst}{T_N}$	$\frac{LRA}{FLA}$ $\frac{Ist}{I_N}$	$\frac{BDT}{FLT}$ $\frac{Tmax}{T_N}$	dB(A)
Synchronous speed 1500 r/min										
YE3-H-315L2-4	200	352	1490	96.0	0.90	1282	2.0	7.1	2.2	88
YE3-H-315L3-4	220	387	1490	96.0	0.90	1410	2.0	7.1	2.2	88
YE3-H-355M1-4	220	387	1490	96.0	0.90	1410	2.0	7.1	2.2	95
YE3-H-355M-4	250	440	1495	96.0	0.90	1597	2.0	7.1	2.2	95
YE3-H-355L1-4	280	492	1495	96.0	0.90	1789	2.0	7.1	2.2	95
YE3-H-355L-4	315	554	1495	96.0	0.90	2012	2.0	7.1	2.2	95
YE3-H-355 1-4	355	638	1495	96.0	0.88	2268	1.7	7.0	2.2	102
YE3-H-355 2-4	375	674	1495	96.0	0.88	2395	1.7	7.0	2.2	102
Synchronous speed 1000 r/min										
YE3-H-80M1-6	0.37	1.2	910	68.0	0.70	3.88	1.9	5.5	2.0	54
YE3-H-80M2-6	0.55	1.6	925	72.0	0.71	5.68	1.9	5.8	2.1	54
YE3-H-90S-6	0.75	2.0	945	78.9	0.71	7.58	2.0	6.0	2.1	57
YE3-H-90L-6	1.1	2.8	950	81.0	0.73	11.1	2.0	6.0	2.1	57
YE3-H-100L-6	1.5	3.8	950	82.5	0.73	15.1	2.0	6.5	2.1	61
YE3-H-112M-6	2.2	5.4	965	84.3	0.74	21.8	2.0	6.6	2.1	65
YE3-H-132S-6	3	7.2	975	85.6	0.74	29.4	1.9	6.8	2.1	69
YE3-H-132M1-6	4	9.5	975	86.8	0.74	39.2	1.9	6.8	2.1	69
YE3-H-132M2-6	5.5	12.7	975	88.0	0.75	53.9	1.9	7.0	2.1	69
YE3-H-160M-6	7.5	16.2	980	89.1	0.79	73.1	1.9	7.0	2.1	70
YE3-H-160L-6	11	23.1	980	90.3	0.80	107	1.9	7.2	2.1	70
YE3-H-180L-6	15	30.9	980	91.2	0.81	146	1.9	7.3	2.1	73
YE3-H-200L1-6	18.5	37.8	985	91.7	0.81	179	1.9	7.3	2.1	73
YE3-H-200L2-6	22	44.8	985	92.2	0.81	213	1.9	7.4	2.1	73
YE3-H-225M-6	30	59.1	985	92.9	0.83	291	1.9	6.9	2.1	74
YE3-H-250M-6	37	71.7	985	93.3	0.84	359	1.9	7.1	2.1	76
YE3-H-280S-6	45	85.8	990	93.7	0.85	434	1.9	7.3	2.0	78
YE3-H-280M-6	55	103	990	94.1	0.86	531	1.9	7.3	2.0	78
YE3-H-280M1-6	75	143	990	94.6	0.84	723	1.9	6.6	2.0	78
YE3-H-315S-6	75	143	990	94.6	0.84	723	1.9	6.6	2.0	83
YE3-H-315M-6	90	170	990	94.9	0.85	868	1.9	6.7	2.0	83
YE3-H-315L1-6	110	207	990	95.1	0.85	1061	1.9	6.7	2.0	83
YE3-H-315L2-6	132	244	990	95.4	0.86	1273	1.9	6.8	2.0	83
YE3-H-315L3-6	160	296	990	95.6	0.86	1543	1.9	6.8	2.0	83
YE3-H-355M1-6	160	296	995	95.6	0.86	1536	1.9	6.8	2.0	85
YE3-H-355M-6	185	342	995	95.7	0.86	1776	1.9	6.8	2.0	85
YE3-H-355M2-6	200	365	995	95.8	0.87	1920	1.9	6.8	2.0	85
YE3-H-355L1-6	220	401	995	95.8	0.87	2112	1.9	6.8	2.0	85
YE3-H-355L-6	250	456	995	95.8	0.87	2399	1.9	6.8	2.0	85
YE3-H-355 1-6	280	510	995	95.8	0.87	2687	1.9	6.8	2.0	91
YE3-H-355 2-6	315	581	995	95.8	0.86	3023	1.9	6.8	2.0	91

Performance Data

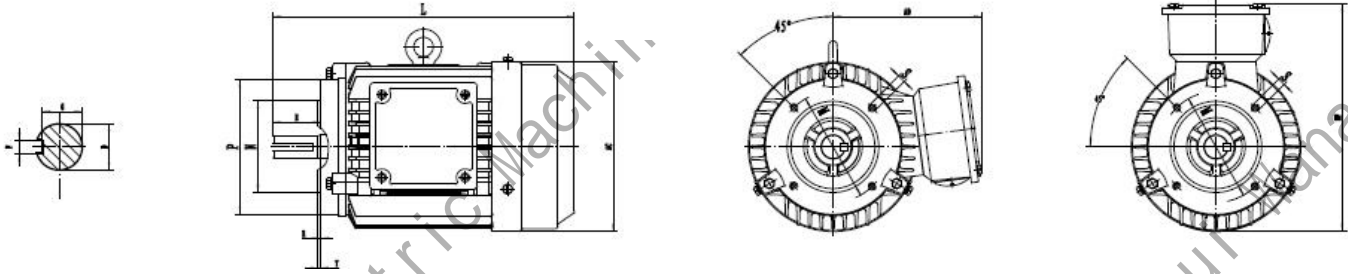
380V 50Hz

Model	Output kW	FLA	RPM	Eff. %	Power Factor	FLT N.m	$\frac{LRT}{FLT}$ $\frac{Tst}{T_N}$	$\frac{LRA}{FLA}$ $\frac{Ist}{I_N}$	$\frac{BDT}{FLT}$ $\frac{Tmax}{T_N}$	dB(A)
Synchronous speed 750 r/min										
YE3-H-90S-8	0.37	1.4	695	66.0	0.61	5.08	1.8	4.0	1.9	56
YE3-H-90L-8	0.55	2.0	695	70.0	0.61	7.56	1.8	4.0	2.0	56
YE3-H-100L1-8	0.75	2.3	705	73.5	0.67	10.2	1.8	4.0	2.0	59
YE3-H-100L2-8	1.1	3.2	705	76.5	0.69	14.9	1.8	5.0	2.0	59
YE3-H-112M-8	1.5	4.2	715	77.5	0.70	20.0	1.8	5.0	2.0	61
YE3-H-132S-8	2.2	5.9	730	80.0	0.71	28.8	1.8	6.0	2.2	64
YE3-H-132M-8	3	7.6	730	82.5	0.73	39.2	1.8	6.0	2.2	64
YE3-H-160M1-8	4	9.8	725	85.0	0.73	52.7	1.9	6.0	2.2	68
YE3-H-160M2-8	5.5	13.1	725	86.0	0.74	72.4	1.9	6.0	2.2	68
YE3-H-160L-8	7.5	17.4	730	87.5	0.75	98.1	1.9	6.0	2.2	68
YE3-H-180L-8	11	25.0	725	89.0	0.75	145	1.9	6.5	2.2	70
YE3-H-200L-8	15	33.2	730	90.4	0.76	196	2.0	6.6	2.2	73
YE3-H-225S-8	18.5	40.6	735	91.2	0.76	240	2.0	6.6	2.2	73
YE3-H-225M-8	22	46.8	735	91.5	0.78	286	2.0	6.6	2.2	73
YE3-H-250M-8	30	62.6	735	92.2	0.79	390	1.9	6.5	2.0	75
YE3-H-280S-8	37	76.5	740	93.0	0.79	478	1.8	6.6	2.0	76
YE3-H-280M-8	45	92.6	740	93.5	0.79	581	1.8	6.6	2.0	76
YE3-H-280M1-8	55	110	740	93.8	0.81	710	1.8	6.6	2.0	76
YE3-H-315S-8	55	110	740	93.8	0.81	710	1.8	6.6	2.0	82
YE3-H-315M-8	75	150	740	94.0	0.81	968	1.8	6.2	2.0	82
YE3-H-315L1-8	90	176	740	94.5	0.82	1161	1.8	6.4	2.0	82
YE3-H-315L2-8	110	215	740	94.8	0.82	1420	1.8	6.4	2.0	82
YE3-H-355M1-8	132	257	745	95.0	0.82	1692	1.8	6.4	2.0	90
YE3-H-355M2-8	160	312	745	95.0	0.82	2051	1.8	6.4	2.0	90
YE3-H-355L1-8	185	360	745	95.2	0.82	2371	1.8	6.4	2.0	90
YE3-H-355L-8	200	385	745	95.2	0.83	2564	1.8	6.4	2.0	90
YE3-H-355 1-8	220	423	745	95.2	0.83	2820	1.8	6.4	2.0	90
YE3-H-355 2-8	250	481	745	95.2	0.83	3205	1.8	6.5	2.0	90
Synchronous speed 600 r/min										
YE3-H-315S-10	45	99	590	92.0	0.75	728	1.5	6.2	2.0	90
YE3-H-315M-10	55	120	590	92.5	0.75	890	1.5	6.2	2.0	90
YE3-H-315L1-10	75	161	590	93.0	0.76	1214	1.5	5.8	2.0	90
YE3-H-315L2-10	90	190	590	93.4	0.77	1457	1.5	5.9	2.0	90
YE3-H-355M1-10	110	228	595	93.8	0.78	1766	1.3	6.0	2.0	90
YE3-H-355M2-10	132	273	595	94.2	0.78	2119	1.3	6.0	2.0	90
YE3-H-355L1-10	160	331	595	94.2	0.78	2568	1.3	6.0	2.0	90
YE3-H-355L-10	185	383	595	94.2	0.78	2969	1.3	6.0	2.0	90
YE3-H-355 1-10	200	414	595	94.2	0.78	3210	1.3	6.0	2.0	90
YE3-H-355 2-10	220	455	595	94.2	0.78	3531	1.3	6.0	2.0	90

Dimensions & Mounting

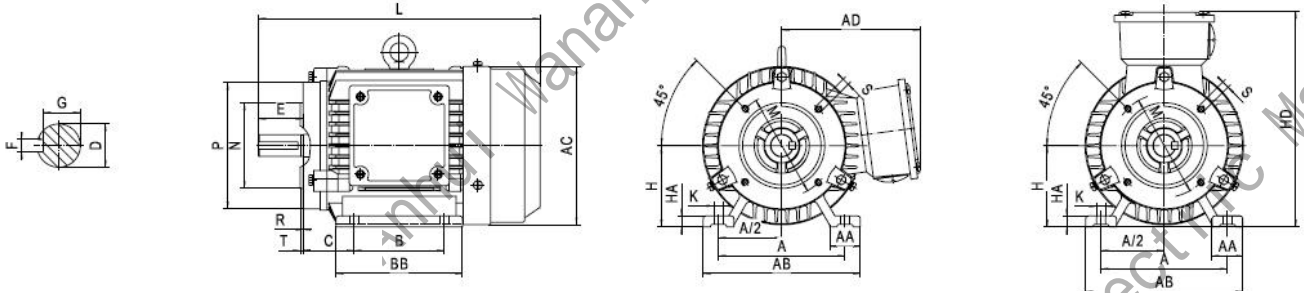
mm

B14 (Footless and Small Flange Mounted)



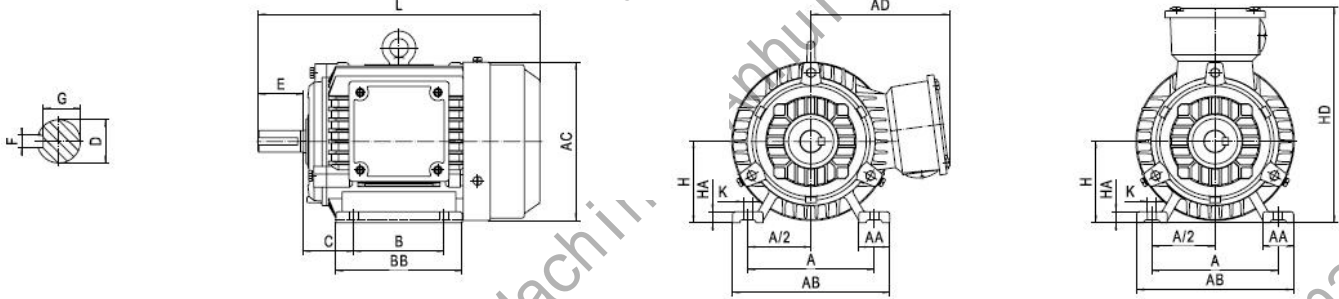
Frame	Poles	Mounting Dimension										Overall Dimension			
		D	E	F	G	M	N	P	R	S	T	AC	AD	HF	L
80M	2,4,6,8	19	40	6	15.5	100	80	120	0	4-M6	3	165	145	225	295
90S	2,4,6,8	24	50	8	20	115	95	140	0	4-M8	3	180	165	255	345
90L	2,4,6,8														385
100L	2,4,6,8	28	60	8	24	130	110	160	0	4-M8	3.5	205	175	275	390
112M	2, 6, 8	28	60	8	24	130	110	160	0	4-M8	3.5	225	190	300	425
	4														455

B34 (Foot and Small Flange Mounted)



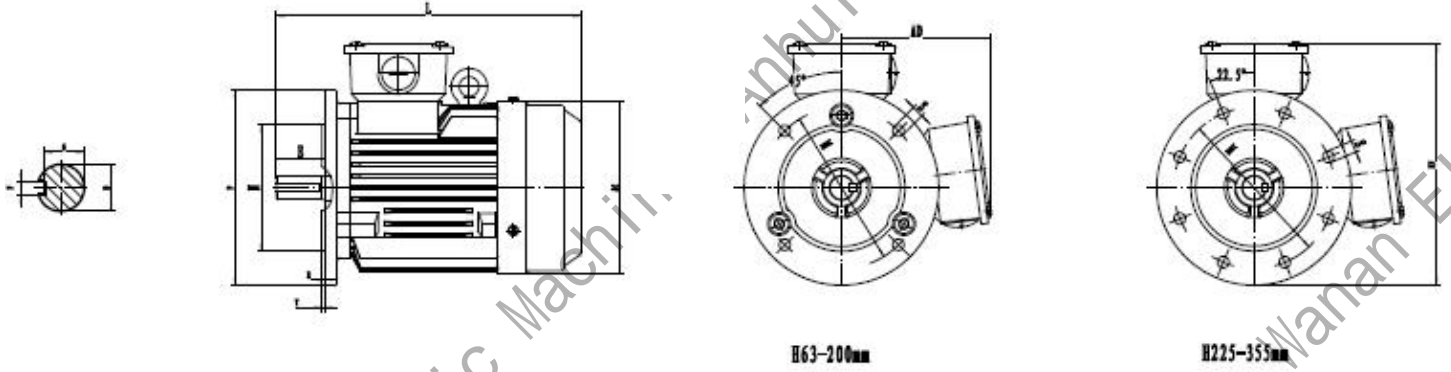
Frame	Poles	Mounting Dimension														Overall Dimension									
		A	B	C	D	E	F	G	H	K	M	N	P	R	S	T	AA	BB	HA	AB	AC	AD	HD	L	
80M	2,4,6,8	125	100	50	19	40	6	15.5	80	10	100	80	120	0	4-M6	3	32	135	10	160	165	145	225	295	
90S	2,4,6,8	140	100	56	24	50	8	20	90	10	115	95	140	0	4-M8	3	34	170	12	180	180	165	255	345	
90L	2,4,6,8		210															385							
100L	2,4,6,8	160	140	63	28	60	8	24	100	12	130	110	160	0	4-M8	3.5	39	186	14	200	205	175	275	390	
112M	2, 6, 8	190	140	70	28	60	8	24	112	12	130	110	160	0	4-M8	3.5	45	200	14	230	225	190	300	425	
	4																	230						455	

B3 (Horizontal Foot Mounted Only)



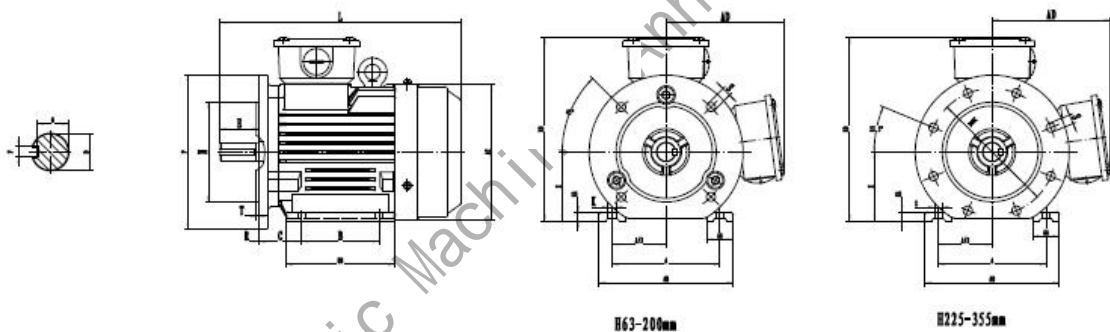
Frame	Poles	Mounting Dimension									Overall Dimension												
		A	B	C	D	E	F	G	H	K	AA	BB	HA	AB	AC	AD	HD	L					
80M	2,4,6,8	125	100	50	19	40	6	155	80	10	32	135	10	160	165	145	225	295					
90S	2,4,6,8	140	100	56	24	50	8	20	90	10	34	170	12	180	180	165	255	345					
90L			125									210						385					
100L	2,4,6,8	160	140	63	28	60	8	24	100	12	39	186	14	200	205	175	275	390					
112M	2, 6, 8	190	140	70	28	60	8	24	112	12	45	200	14	230	225	190	300	425					
	4											230						455					
132S	2,4,6,8	216	140	89	38	80	10	33	132	12	55	190	18	265	270	220	350	475					
132M			178									230						510					
160M	2,4,6,8	254	210	108	42	110	12	37	160	15	65	260	20	315	320	260	420	610					
160L			254									304						655					
180M	2,4,6,8	279	241	121	48	110	14	425	180	15	70	311	22	355	360	265	445	680					
180L			279									349						715					
200L	2,4,6,8	318	305	133	55	110	16	49	200	19	74	379	26	395	400	305	505	770					
225S	4,8	356	286	149	60	140	18	53	225	19	78	375	28	435	450	325	550	795					
225M	2		311									55						110	16	49	400	800	
	4,6,8		60									140						18	53	825			
250M	2	406	349	168	60	140	18	53	250	24	80	445	30	490	510	380	630	890					
	4,6,8				65														58				
280S	2	457	368	190	65	140	18	58	280	24	90	485	35	545	550	395	675	975					
280M	4,6,8																		75	67.5			
	2																		419	65	140	18	58
315S	2	508	406	216	65	140	18	58	315	28	120	570	45	635	630	540	855	1180					
315M	4,6,8,10																	80	170	22	71	610	1210
	2																	457	65	140	18	58	1215
315L	4,6,8,10	508			80	170	22	71										1245					
	2				65	140	18	58										680	1290				
	4,6,8,10				80	170	22	71										1320					
355M	2	560			75	140	20	67.5										1390					
	4,6,8,10				95	170	25	86										690	1420				
355LL1	2	610			75	140	20	67.5										1500					
	4,6,8,10				95	170	25	86										750	1530				
355 1/2	2	630			80	170	22	71										1530					
	4,6,8,10				110	210	28	100										1570					

B5 (Footless and B5 Flange Mounted)



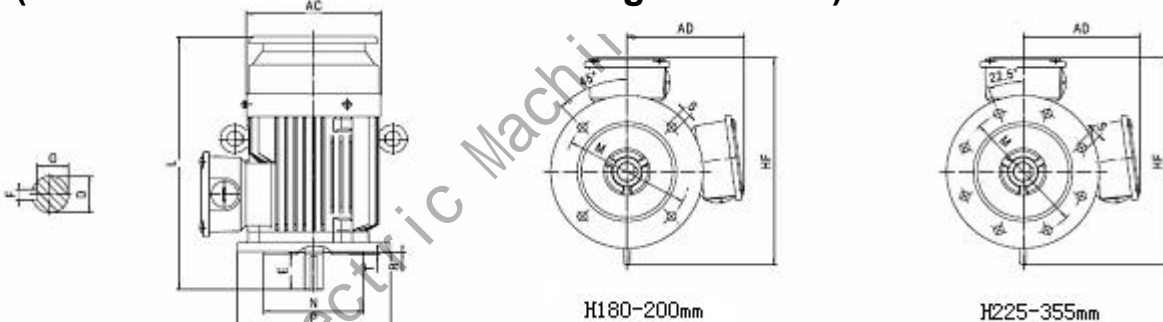
Frame	Poles	Mounting Dimension										Overall Dimension			
		D	E	F	G	M	N	P	R	S	T	AC	AD	HF	L
80M	2,4,6,8	19	40	6	15.5	165	130	200	0	4-Φ12	3.5	165	145	245	295
90S	2,4,6,8	24	50	8	20	165	130	200	0	4-Φ12	3.5	180	165	265	345
90L															385
100L	2,4,6,8	28	60	8	24	215	180	250	0	4-Φ15	4	205	175	300	390
112M	2,6,8	28	60	8	24	215	180	250	0	4-Φ15	4	225	190	315	425
	4														455
132S	2,4,6,8	38	80	10	33	265	230	300	0	4-Φ15	4	270	220	370	475
132M															510
160M	2,4,6,8	42	110	12	37	300	250	350	0	4-Φ19	5	320	260	435	610
160L															655
180M	2,4,6,8	48	110	14	42.5	300	250	350	0	4-Φ19	5	360	265	440	680
180L															715
200L	2,4,6,8	55	110	16	49	350	300	400	0	4-Φ19	5	400	305	505	770
225S	4,8	60	140	18	53	400	350	450	0	8-Φ19	5	450	325	550	795
225M	2	55	110	16	49										800
	4,6,8	60	140	18	53										825
250M	2	60	140	18	53	500	450	550	0	8-Φ19	5	510	380	655	890
	4,6,8	65		58											
280S	2	65	140	18	58	500	450	550	0	8-Φ19	5	550	395	670	975
	4,6,8	75		20	67.5										
280M	2	65		18	58										1025
	4,6,8	75		20	67.5										

B35 (Foot and B5 Flange Mounted)



Frame	Poles	Mounting Dimension														Overall Dimension													
		A	B	C	D	E	F	G	H	K	M	N	P	R	S	T	AA	BB	HA	AB	AC	AD	HD	L					
80M	2,4,6,8	125	100	50	19	40	6	15.5	80	10	165	130	200	0	4-Φ12	3.5	32	135	10	160	165	145	225	295					
90S	2,4,6,8	140	100	56	24	50	8	20	90	10	165	130	200	0	4-Φ12	3.5	34	170	12	180	180	165	255	345					
90L			125															210						385					
100L	2,4,6,8	160	140	63	28	60	8	24	100	12	215	180	250	0	4-Φ15	4	39	186	14	200	205	175	275	390					
112M	2,6,8 4	190	140	70	28	60	8	24	112	12	215	180	250	0	4-Φ15	4	45	200 230		230	225	190	300	425 455					
132S	2,4,6,8	216	140	89	38	80	10	33	132	12	265	230	300	0	4-Φ15	4	55	190	18	265	270	220	350	475					
132M			178															230						510					
160M	2,4,6,8	254	210	108	42	110	12	37	160	15	300	250	350	0	4-Φ19	5	65	260	20	315	320	260	420	610					
160L			254															304						655					
180M	2,4,6,8	279	241	121	48	110	14	42.5	180	15	300	250	350	0	4-Φ19	5	70	311	22	355	360	265	445	680					
180L			279															349						715					
200L	2,4,6,8	318	305	133	55	110	16	49	200	19	350	300	400	0	4-Φ19	5	74	379	26	395	400	305	505	770					
225S	4,8	356	286	149	60	140	18	53	225	19	400	350	450	0	8-Φ19	5	78	375	28	435	450	325	550	795					
225M	2		311		55	110	16	49										400						450	0	8-Φ19	5	400	800
	4,6,8		60		140	53	250	24										500						450	550	0	8-Φ19	5	80
250M	2	406	349	168	60	140	18	58	250	24	500	450	550	0	8-Φ19	5	80	445	30	490	510	380	630	890					
	4,6,8				65																								
280S	2	457	368	190	65	140	20	67.5	280	24	500	450	550	0	8-Φ19	5	90	485	35	545	550	395	675	975					
	4,6,8				75																								
280M	2				419													65						18	58	610	45	635	630
	4,6,8	75	20	67.5	280	24	500	450	550	0	8-Φ19	5	90	536	1025														
315S	2	406	368	190	65	140	18	58	315	28	600	550	660	0	8-Φ24	6	120	570	45	635	630	540	855	1180					
	4,6,8,10				80	170	22	71										610						45	635	630	540	855	1210
315M	2	508	457	216	65	140	18	58	315	28	600	550	660	0	8-Φ24	6	120	610	45	635	630	540	855	1215					
	4,6,8,10				80	170	22	71										610						45	635	630	540	855	1245
315L	2	508	368	190	65	140	18	58	315	28	600	550	660	0	8-Φ24	6	120	680	45	635	630	540	855	1290					
	4,6,8,10				80	170	22	71										610						45	635	630	540	855	1320
355M	2	560	368	190	75	140	20	67.5	355	28	740	680	800	0	8-Φ24	6	130	690	52	735	715	645	1000	1390					
	4,6,8,10,12				95	170	25	86										750						1530					
355LL1	2	610	254	216	75	140	20	67.5	355	28	740	680	800	0	8-Φ24	6	130	750	52	735	715	645	1000	1500					
	4,6,8,10,12				95	170	25	86										750						1530					
3551/2	2	630	368	190	80	170	22	71	355	28	740	680	800	0	8-Φ24	6	130	750	52	735	715	645	1000	1530					
	4,6,8,10,12				110	210	28	100										750						1570					

V1 (Vertical Shaft down Footless Flange Mounted)



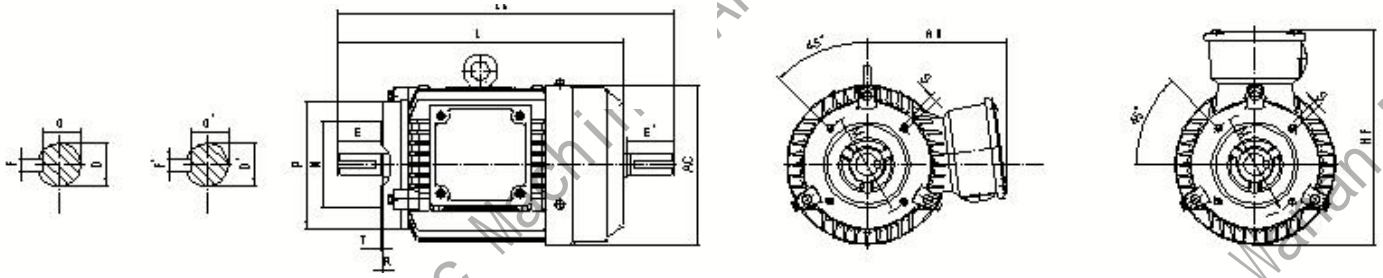
H180-200mm

H225-355mm

Frame	Poles	Mounting Dimension										Overall Dimension			
		D	E	F	G	M	N	P	R	S	T	AC	AD	HF	L
80M	2,4,6,8	19	40	6	15.5	165	130	200	0	4-φ12	3.5	165	145	245	315
90S	2,4,6,8	24	50	8	20	165	130	200	0	4-φ12	3.5	180	165	265	370
90L															410
100L	2,4,6,8	28	60	8	24	215	180	250	0	4-φ15	4	205	175	300	420
112M	2,6,8	28	60	8	24	215	180	250	0	4-φ15	4	225	190	315	455
	4														485
132S	2,4,6,8	38	80	10	33	265	230	300	0	4-φ15	4	270	220	370	510
132M															550
160M	2,4,6,8	42	110	12	37	300	250	350	0	4-φ19	5	320	260	435	655
160L															700
180M	2,4,6,8	48	110	14	42.5	300	250	350	0	4-φ19	5	360	265	500	725
180L															765
200L	2,4,6,8	55	110	16	49	350	300	400	0	4-φ19	5	400	305	570	825
225S	4,8	60	140	18	53	400	350	450	0	8-φ19	5	450	325	615	855
225M	2	55	110	16	49										860
	4,6,8	60	140	18	53										885
250M	2	60	140	18	53	500	450	550	0	8-φ19	5	510	380	715	955
	4,6,8	65			58										
280S	2	65	140	18	58	500	450	550	0	8-φ19	5	550	395	760	1045
	4,6,8	75		20	67.5										
280M	2	65	140	18	58	500	450	550	0	8-φ19	5	550	395	760	1100
	4,6,8	75		20	67.5										
315S	2	65	140	18	58	600	550	660	0	8-φ24	6	630	540	970	1310
	4,6,8,10	80	170	22	71										1340
315M	2	65	140	18	58										1345
	4,6,8,10	80	170	22	71										1375
315L	2	65	140	18	58										1420
	4,6,8,10	80	170	22	71										1450
355M	2	75	140	20	67.5	740	680	800	0	8-φ24	6	715	645	1135	1530
	4,6,8,10	95	170	25	86										1560
355L1	2	75	140	20	67.5										1640
	4,6,8,10	95	170	25	86										1670
355L2/L3	2	80	170	22	71										1670
	4,6,8,10	110	210	28	100										1710

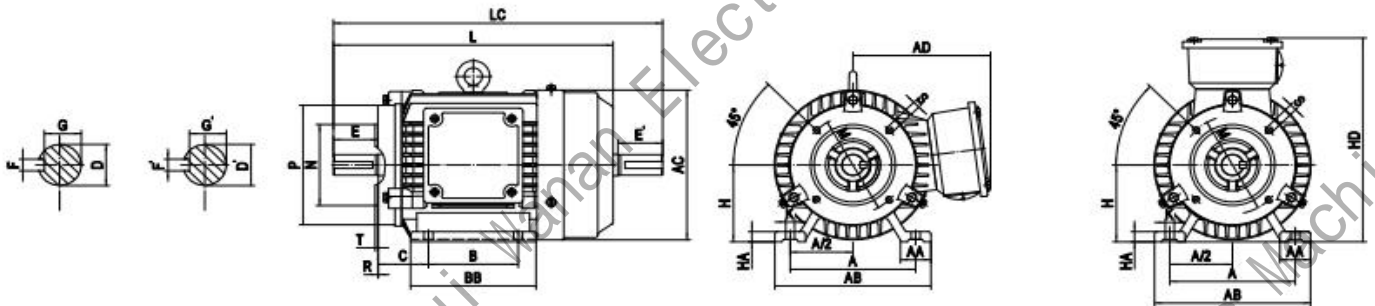
YE3-H series motor with 2 shaft ends, dimensions as follows:
 mm

B14 (Footless and Small Flange Mounted)



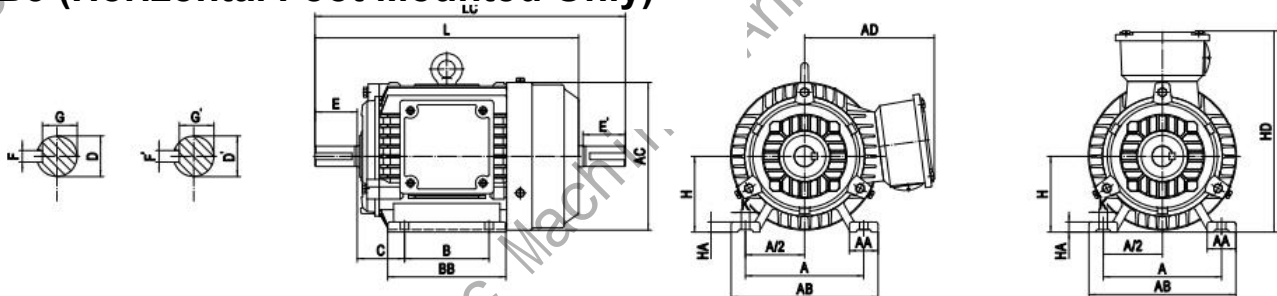
Frame	Poles	Mounting Dimension											Overall Dimension				
		D/D'	E/E'	F/F'	G/G'	M	N	P	R	S	T	AC	AD	HF	L	LC	
80M	2,4,6,8	19	40	6	15.5	100	80	120	0	4-M6	3	165	145	245	290	333	
90S	2,4,6,8	24	50	8	20	115	95	140	0	4-M8	3	180	165	265	340	393	
90L	2,4,6,8														380	433	
100L	2,4,6,8	28	60	8	24	130	110	160	0	4-M8	3.5	205	175	300	385	448	
112M	2,6,8	28	60	8	24	130	110	160	0	4-M8	3.5	225	190	315	420	483	
	4														450	513	

B34 (Foot and Small Flange Mounted)



Frame	Poles	Mounting Dimension														Overall Dimension									
		A	B	C	D/D'	E/E'	F/F'	G/G'	H	K	M	N	P	R	S	T	AA	BB	HA	AB	AC	AD	HD	L	LC
80M	2,4,6,8	125	100	50	19	40	6	15.5	80	10	100	80	120	0	4-M6	3	32	135	10	160	165	145	225	290	333
90S	2,4,6,8	140	100	56	24	50	8	20	90	10	115	95	140	0	4-M8	3	34	170	12	180	180	165	255	340	393
90L	2,4,6,8		125															210						380	433
100L	2,4,6,8	160	140	63	28	60	8	24	100	12	130	110	160	0	4-M8	3.5	39	186	14	200	205	175	275	385	448
112M	2,6,8	190	140	70	28	60	8	24	112	12	130	110	160	0	4-M8	3.5	45	200	14	230	225	190	300	420	483
	4																	230						450	513

B3 (Horizontal Foot Mounted Only)

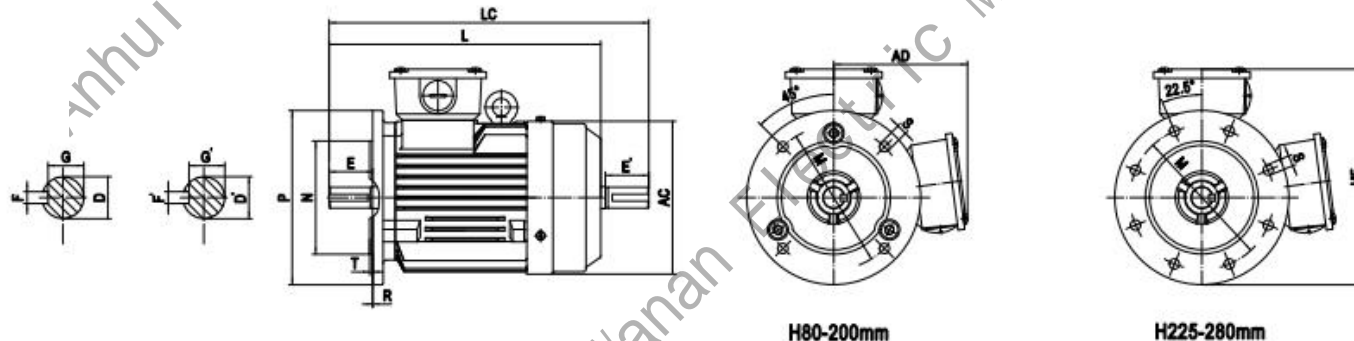


Frame	poles	Mounting Dimension													Overall Dimension																
		A	B	C	D	D'	E	E'	F	F'	G	G'	H	K	AA	BB	HA	AB	AC	AD	HD	L	LC								
80M	2.4.6.8	125	100	50	19	19	40	40	6	6	15.5	15.5	80	10	32	135	10	160	165	145	225	290	333								
90S	2.4.6.8	140	100	56	24	24	50	50	8	8	20	20	90	10	34	145	12	180	180	165	255	340	393								
90L	2.4.6.8		125													170						380	433								
100L	2.4.6.8	160	140	63	28	28	60	60	8	8	24	24	100	12	39	186	14	200	205	175	275	385	448								
112M	2.6.8	190	140	70	28	28	60	60	8	8	24	24	112	12	45	200	14	230	225	190	300	420	483								
	4																					450	513								
132S	2.4.6.8	216	140	89	38	38	80	80	10	10	33	33	132	12	55	190	18	265	270	220	350	470	551								
132M	2.4.6.8		178													230						505	589								
160M	2.4.6.8	254	210	108	42	42	110	110	12	12	37	37	160	15	65	260	20	315	320	260	420	605	719								
160L	2.4.6.8		254													304						650	763								
180M	2.4.6.8	279	241	121	48	48	110	110	14	14	42.5	42.5	180	15	70	311	22	355	360	265	445	675	788								
180L	2.4.6.8		279													349						715	826								
200L	2.4.6.8	318	305	133	55	55	110	110	16	16	49	49	200	19	74	379	26	395	400	305	505	765	879								
225S	4.8	356	286	149	60	55	140	110	18	16	53	49	225	19	78	375	28	435	450	325	550	795	909								
225M	2		311													49						49	49	49	400	790	904				
	4.6.8		60													55						140	110	18	16	53	49	820	934		
250M	2	406	349	168	60	55	140	110	18	16	53	49	250	24	80	445	30	490	510	380	630	885	998								
	4.6.8				65	55					58	49																			
280S	2	457	368	190	65	55	140	110	18	16	58	49	280	24	90	485	35	545	550	395	675	960	1074								
	4.6.8										75	60										140	20	18	67.5	53	1104				
280M	2		419		65	55		110	18	16	58	49				280						24	90	536	35	545	550	395	675	1015	1125
	4.6.8																													75	60
315S	2	508	406	216	65	65	140	140	18	18	58	58	315	28	120	570	45	635	630	540	855	1180	1330								
	4.6.8.10										80	80										170	170	22	22	71	71	1210	1390		
315M	2		457		65	65	140	140	18	18	58	58				315						28	120	610	45	635	630	540	855	1215	1365
	4.6.8.10																													80	80
315L	2	508	65	65	140	140	18	18	58	58	315	28	120	680	45	635	630	540	855	1290	1440										
	4.6.8.10																			80	80	170	170	22	22	71	71	1320	1500		

mm

Frame	poles	Mounting Dimension													Overall Dimension																									
		A	B	C	D	D'	E	E'	F	F'	G	G'	H	K	AA	BB	HA	AB	AC	AD	HD	L	LC																	
355M	2	610	560	254	75	75	140	140	20	20	67.5	67.5	355	28	130	690	52	735	715	645	1000	1380	1530																	
	4,6,8,10,12				95	80	170	170	25	22	86	71										1420	1590																	
355L/L1	2		630		630	75	75	140	140	20	20	67.5				67.5						355	28	130	750	52	735	715	645	1000	1500	1640								
	4,6,8,10,12					95	80	170	170	25	25	86				71															1530	1700								
355L2/L3	2		630		630	80	80	170	170	22	22	71				71									355						28	130	750	52	735	715	645	1000	1530	1700
	4,6,8,10,12					110	80	210	170	28	22	100				71																							1570	1740

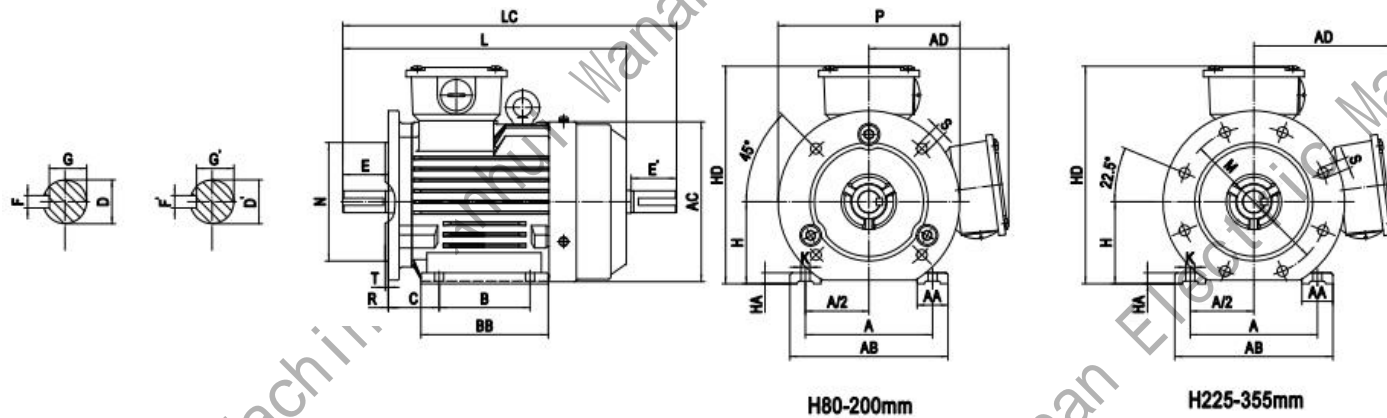
B5 (Footless and B5 Flange Mounted)



Frame	Poles	Mounting Dimension													Overall Dimension					
Frame	Poles	D	D'	E	E'	F	F'	G	G'	M	N	P	R	S	T	AC	AD	HF	L	LC
80M	2,4,6,8	19	19	40	40	6	6	15.5	15.5	165	130	200	0	4-Φ12	3.5	165	145	245	290	333
90S	2,4,6,8	24	24	50	50	8	8	20	20	165	130	200	0	4-Φ12	3.5	180	165	265	340	393
90L	2,4,6,8																		380	433
100L	2,4,6,8	28	28	60	60	8	8	24	24	215	180	250	0	4-Φ15	4	205	175	300	385	448
112M	2,6,8	28	28	60	60	8	8	24	24	215	180	250	0	4-Φ15	4	225	190	315	420	483
	4																		450	513
132S	2,4,6,8	38	38	80	80	10	10	33	33	265	230	300	0	4-Φ15	4	270	220	370	470	551
132M																			505	589

160M	2,4,6,8	42	42	110	110	12	12	37	37	300	250	350	0	4-Φ19	5	320	260	435	605	719			
160L																			650	763			
180M	2,4,6,8	48	48	110	110	14	14	42.5	42.5	300	250	350	0	4-Φ19	5	360	265	440	675	788			
180L																			715	826			
200L	2,4,6,8	55	55	110	110	16	16	49	49	350	300	400	0	4-Φ19	5	400	305	505	765	879			
225S	4,8	60	55	140	110	18	16	53	49	400	350	450	0	8-Φ19	5	450	325	550	795	909			
225M	2	55	48	110	110	16	16	49	43										790	904			
	4,6,8	60	55	140	110	18	16	53	49										820	934			
250M	2	60	55	140	110	18	16	53	49	500	450	550	0	8-Φ19	5	510	380	655	885	998			
	4,6,8	65	55					58	49														
280S	2	65	55	140	110	18	16	58	49	500	450	550	0	8-Φ19	5	550	395	670	960	1074			
	4,6,8	75	60					140	20											18	67.5	53	1104
280M	2	65	55					110	18										16	58	49	1015	1125
	4,6,8	75	60					140	20										18	67.5	53		

B35 (Foot and B5 Flange Mounted)





皖南电机

Frame	Poles	Mounting Dimension																		Overall Dimension																									
		A	B	C	D	D'	E	E'	F	F'	G	G'	H	K	M	N	P	R	S	T	AA	BB	HA	AB	AC	AD	HD	L	LC																
80M	2,4,6,8	125	100	50	19	19	40	40	6	6	15.5	15.5	80	10	165	130	200	0	4-Φ12	3.5	32	135	10	160	165	145	225	290	333																
90S	2,4,6,8	140	100	56	24	24	50	50	8	8	20	20	90	10	165	130	200	0	4-Φ12	3.5	34	170	12	180	180	165	255	340	393																
90L			125																			210						380	433																
100L	2,4,6,8	160	140	63	28	28	60	60	8	8	24	24	100	12	215	180	250	0	4-Φ15	4	39	186	14	200	205	175	275	385	448																
112M	2,6,8	190	140	70	28	28	60	60	8	8	24	24	112	12	215	180	250	0	4-Φ15	4	45	200		230	230	225	190	300	420	483															
	4																					230	450						513																
132S	2,4,6,8	216	140	89	38	38	80	80	10	10	33	33	132	12	265	230	300	0	4-Φ15	4	55	190	18	265	270	220	350	470	551																
132M			178																			230						505	589																
160M	2,4,6,8	254	210	108	42	42	110	110	12	12	37	37	160	15	300	250	350	0	4-Φ19	5	65	260	20	315	320	260	420	605	719																
160L			254																			304						650	763																
180M	2,4,6,8	279	241	121	48	48	110	110	14	14	42.5	42.5	180	15	300	250	350	0	4-Φ19	5	70	311	22	355	360	265	445	675	788																
180L			279																			349						715	826																
200L	2,4,6,8	318	305	133	55	55	110	110	16	16	49	49	200	19	350	300	400	0	4-Φ19	5	74	379	26	395	400	305	505	765	879																
225S	4,8	356	286	149	55	55	140	110	18	16	53	49	225	19	400	350	450	0	8-Φ19	5	78	375	28	435	450	325	550	795	909																
225M	2		311				110	110	16	16	49	49										53						49	250	24	500	450	550	0	8-Φ19	5	80	445	30	490	510	380	630	885	998
	4,6,8		60				65	140	110	18	16	58										49						250	24	500	450	550	0	8-Φ19	5	80	445	30	490	510	380	630	885	998	
280S	2	457	368	190	65	55	140	110	20	18	67.5	53	280	24	500	450	550	0	8-Φ19	5	90	35	545	550	395	675	960	1074																	
	4,6,8																										140	110	18	16	58	49	280	24	500	450	550	0	8-Φ19	5	90	485	1104		
280M	2																										419	368	190	65	55	140	110	20	18	67.5	53	280	24	500	450	550	0	8-Φ19	5
	4,6,8	140	110	18	16	58	49	280	24	500	450	550	0	8-Φ19	5	90	536	1155																											

315S	2	508	406	216	65	65	140	140	18	18	58	58	315	28	600	550	660	0	8-Φ24	6	120	45	635	630	540	855	1180	1330																
	4,6,8,10				80	80	170	170	22	22	71	71															1210	1390																
315M	2		457		65	65	140	140	18	18	58	58															610	1215	1365															
	4,6,8,10				80	80	170	170	22	22	71	71																1245	1425															
315L	2		508		610	254	65	65	140	140	18	18															58	58	315	28	600	550	660	0	8-Φ24	6	120	45	635	630	540	855	1290	1440
	4,6,8,10						80	80	170	170	22	22															71	71															1320	1500
355M	2	560	75	75			140	140	20	20	67.5	67.5	690	1390	1530																													
	4,6,8,10. 12		95	80			170	170	25	25	86	71		1420	1590																													
355L/L 1	2	630	254	75			75	140	140	20	20	67.5	67.5	355	28	740	680	800	0	8-Φ24	6	130	52	735	715	645	100 0	1500															1640	
	4,6,8,10. 12			95			80	170	170	25	25	86	71															1530															1700	
355L2/ L3	2			80	80	170	170	22	22	71	71	750	1530															1700																
	4,6,8,10. 12			110	80	210	170	28	22	100	71		1570															1740																

Conventional mounting type and suitable frame size are given in following table (with “√”)

Frame	basic type			derived type											
	B3	B5	B35	V1	V3	V5	V6	B6	B7	B8	V15	V36	B14	B34	V18
80~112	√	√	√	√	√	√	√	√	√	√	√	√	√	√	√
132~160	√	√	√	√	√	√	√	√	√	√	√	√	-	-	-
180~280	√	√	√	√	-	-	-	-	-	-	-	-	-	-	-
315~355	√	-	√	√	-	-	-	-	-	-	-	-	-	-	-

If there is no other request in the order or agreement, terminal box standard position is at the right side of the frame; data above may be changed without prior notice.